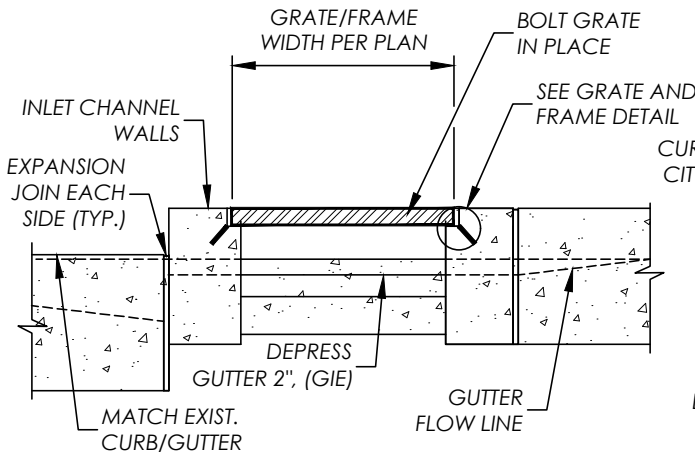
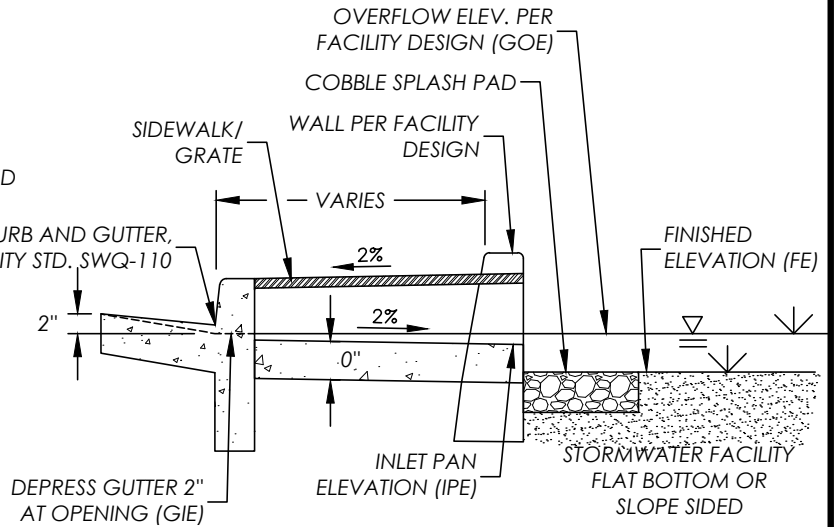


GRATE AND FRAME



SECTION B-B



SECTION A-A

BIORETENTION DESIGN NOTES

1. FOR USE WITH STORMWATER FACILITIES WITH SLOPED SIDES OR FLAT BOTTOMS.
2. PROVIDE SPOT ELEVATIONS ON PLANS (FE, OE, GIE, IPE). SEE CITY STD. SWQ-100 AND SWQ-101.
3. REFER TO CITY OF NAPA STANDARD DRAWINGS AND MATCH GUTTER PAN OF ADJACENT CURB AND GUTTER.
4. IF SLOPED SIDES, WHERE INLET FLOW VELOCITY IS HIGH, EXTEND COBBLE INTO FACILITY, BUT AVOID EXCESSIVE USE.
5. BASE MATERIAL FOR CURB, GUTTER, AND SIDEWALK PER CITY OF NAPA STANDARDS.

CONSTRUCTION NOTES

1. AFTER CONSTRUCTION PLACE SAND BAGS AT GUTTER OPENINGS TO KEEP STORM FLOWS FROM ENTERING FACILITY UNTIL VEGETATION IS ESTABLISHED.

CITY OF NAPA

PUBLIC WORKS DEPARTMENT

INLET WITH GRATE

DRAWN BY:	LFM
DATE:	06/2018
SCALE:	NONE
FIELD NOTES:	

CHECKED BY:	TCW
APPROVED BY:	JRL
DRAWING NO.	SWQ-123

G:\PUBWORKS\STORMWATER PROGRAM\E.12 Post Construction Stormwater Management Program\E.12 Post Construction Stormwater Management Program\Drawings\SWQ-123 - Inlet w. Grate.dwg