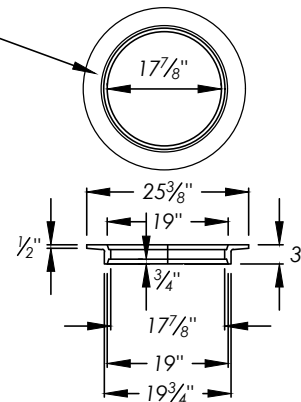


MANHOLE RING AND BEEHIVE GRATE
MH25BH BY OLYMPIC FOUNDRY OR
APPROVED EQUAL



24"x4" REVERSIBLE MANHOLE FRAME

DESIGN NOTES

- 1. PROVIDE GRATE OVERFLOW ELEVATION ON PLANS.
- 2. TO INCORPORATE FLEXIBILITY INTO DESIGN OVERFLOW ELEVATION OR CORRECT ELEVATION OF AN EXISTING STRUCTURE, INSTALL OVERFLOW COLLAR, PER CITY STD. SWQ-141.

CONSTRUCTION NOTES

- 1. DO NOT ADJUST OVERFLOW GRATE ELEVATION, CONSTRUCT AS SHOWN ON PLANS.

CITY OF NAPA

PUBLIC WORKS DEPARTMENT

**OVERFLOW STRUCTURE
W/ BEEHIVE GRATE**

DRAWN BY:	LFM
DATE:	06/2018
SCALE:	NONE
FIELD NOTES:	

CHECKED BY:	TCW
APPROVED BY:	JRL
DRAWING NO.	SWQ-140