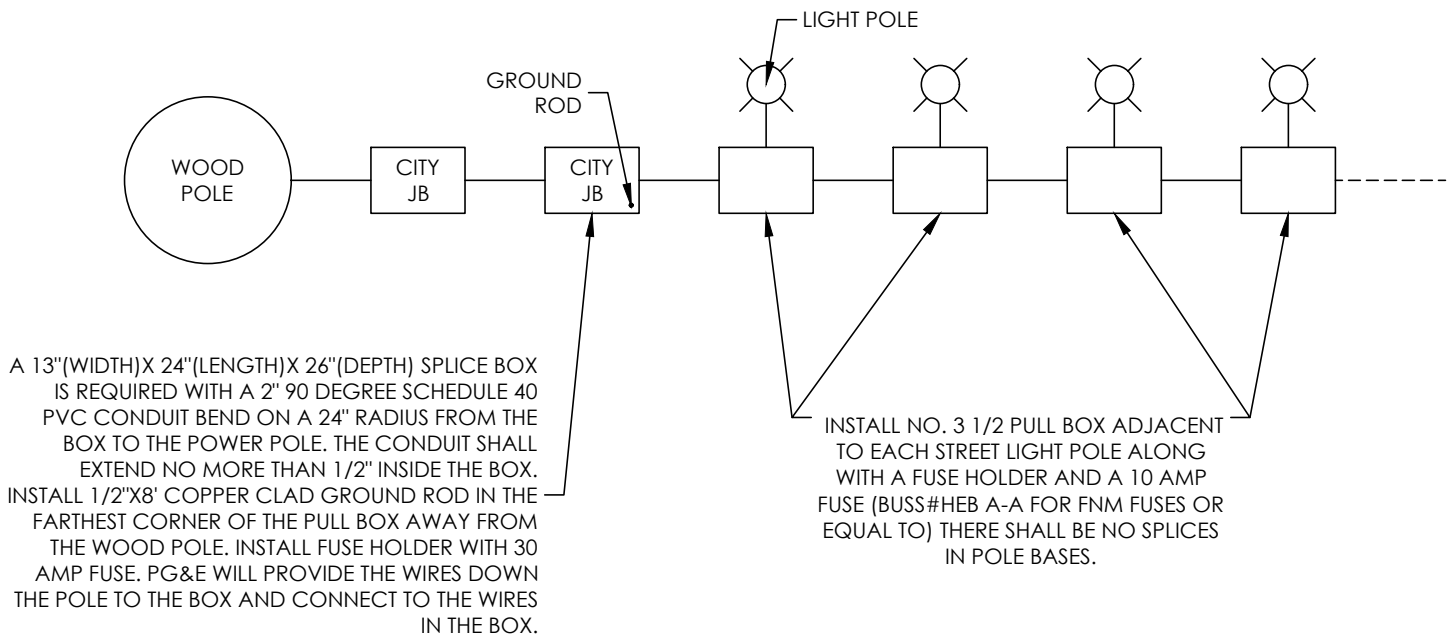


SECONDARY BOX SERVICE INSTALLATION



WOOD POLE SERVICE INSTALLATION

CITY OF NAPA

PUBLIC WORKS DEPARTMENT

SECONDARY BOX AND WOOD POLE SERVICE INSTALLATIONS

DRAWN BY:	BRL
DATE:	06/2018
SCALE:	NONE
FIELD NOTES:	

CHECKED BY:	SEC
APPROVED BY:	JRL
DRAWING NO.	E-7