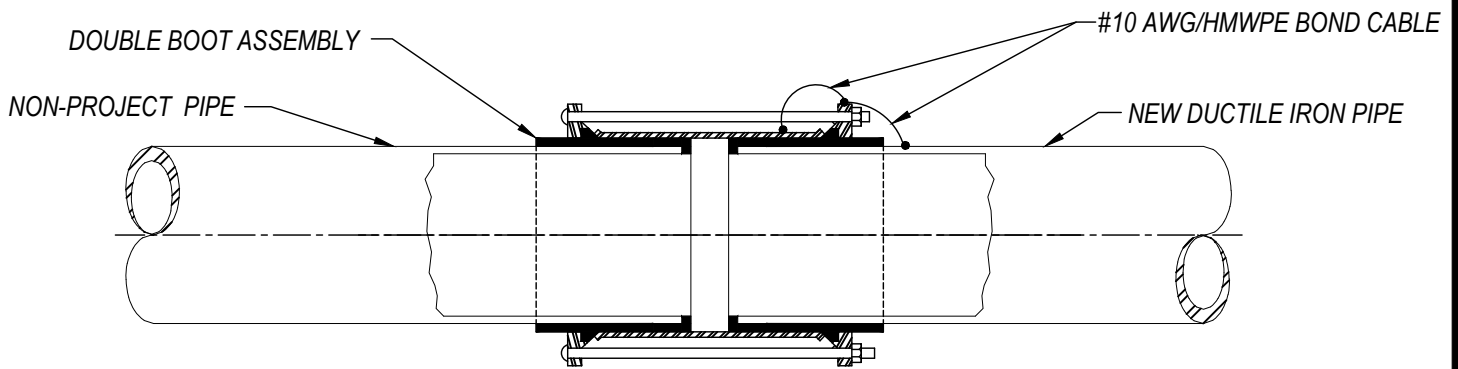
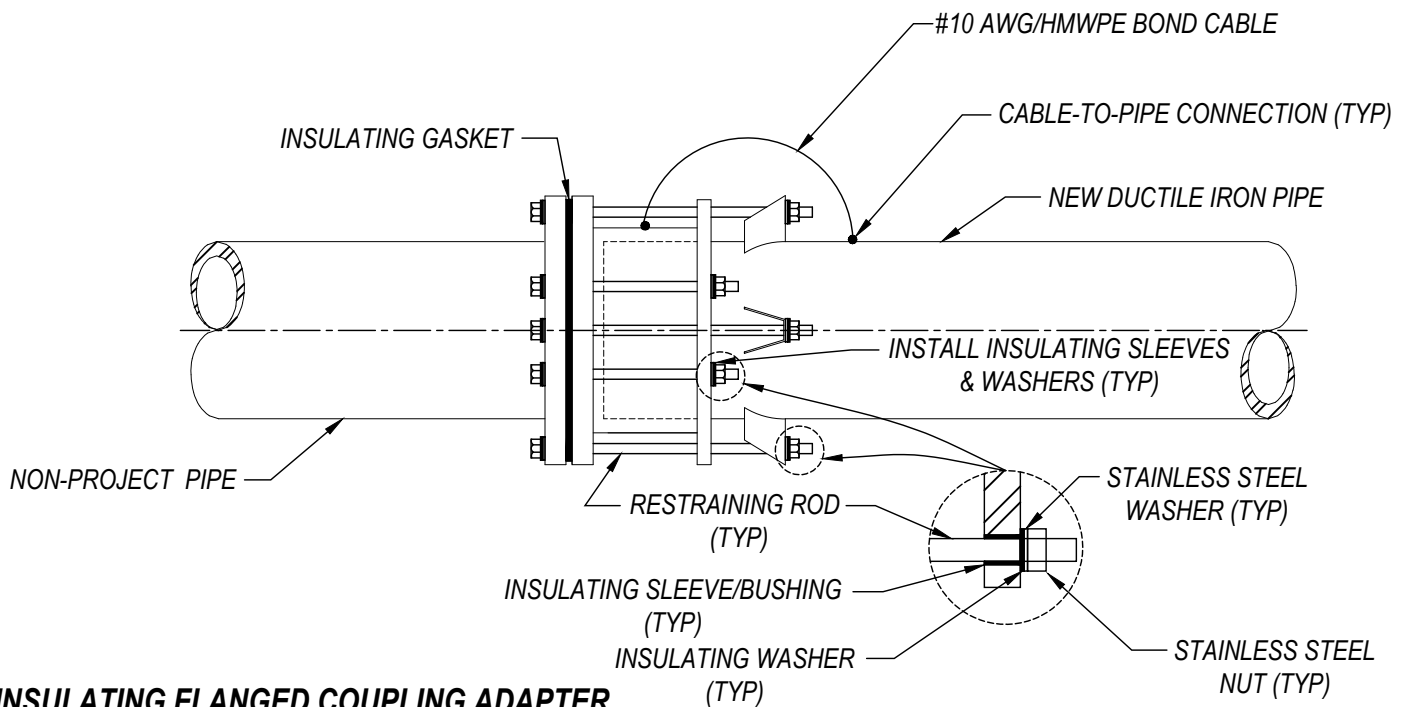


INSULATING FLANGE



INSULATING FLEXIBLE COUPLING



INSULATING FLANGED COUPLING ADAPTER

CITY OF NAPA

UTILITIES DEPARTMENT

TITLE

INSULATING JOINT

DRAWN BY: DF
 APPROVAL DATE: 09/2021
 SCALE: NTS
 REVISED DATE: 09/2021

CHECKED BY: SL
 APPROVED BY: DD
 DRAWING NO. W-25A