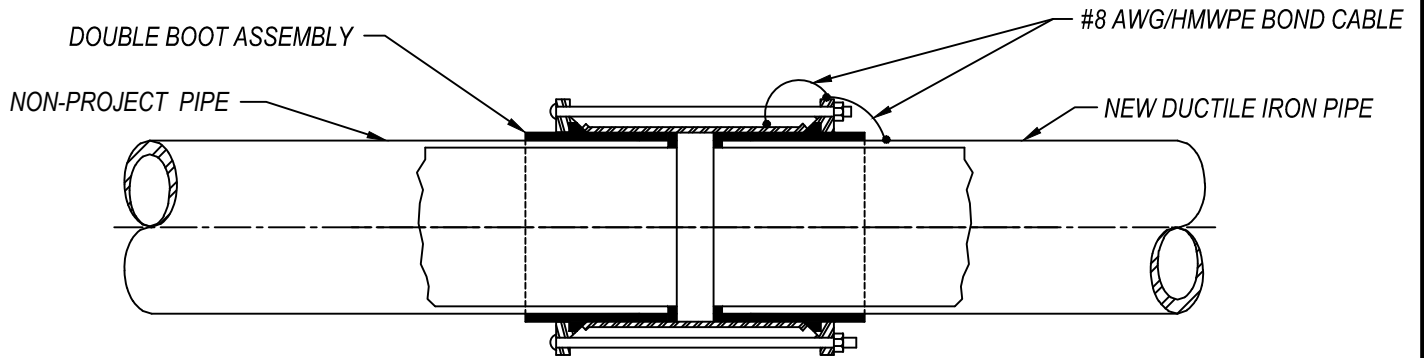
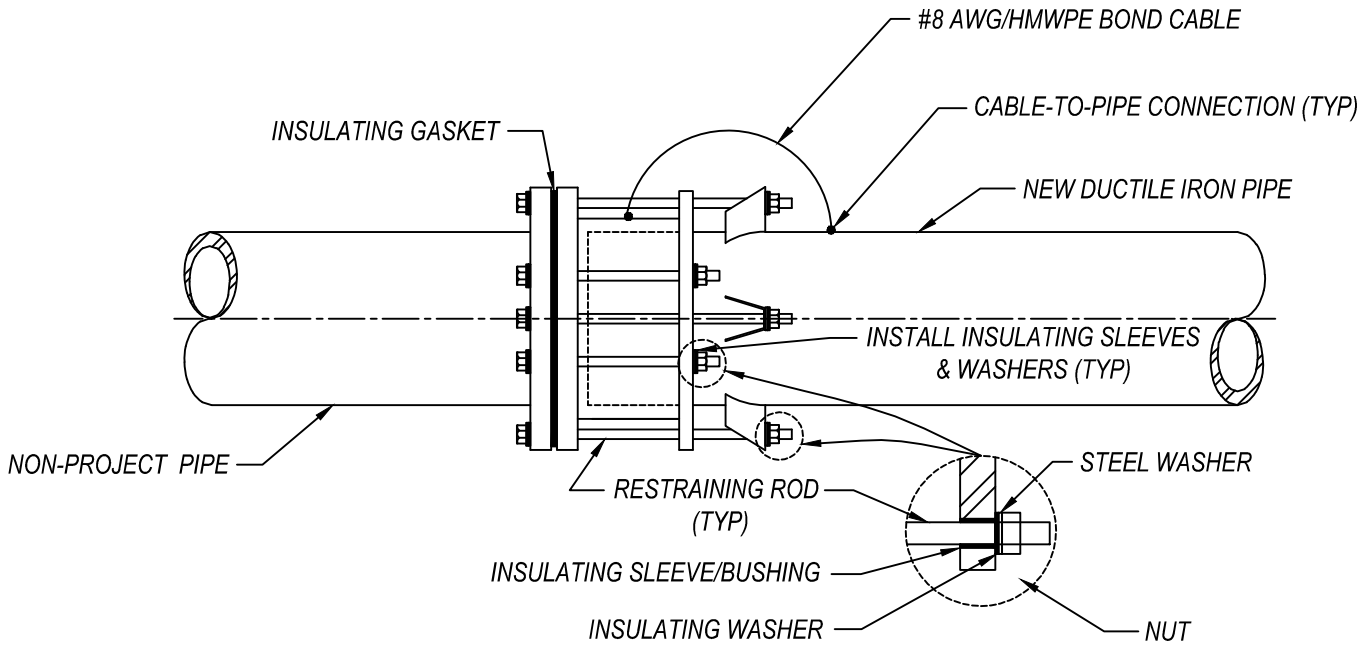


INSULATING FLANGE



INSULATING FLEXIBLE COUPLING



INSULATING FLANGED COUPLING ADAPTER

CITY OF NAPA

PUBLIC WORKS DEPARTMENT

TITLE
INSULATING JOINT

DRAWN BY: DCF

CHECKED BY: MJH

DATE: 07/2017

APPROVED BY: MJH

SCALE: NTS

DRAWING NO.

FIELD NOTES:

W-25A