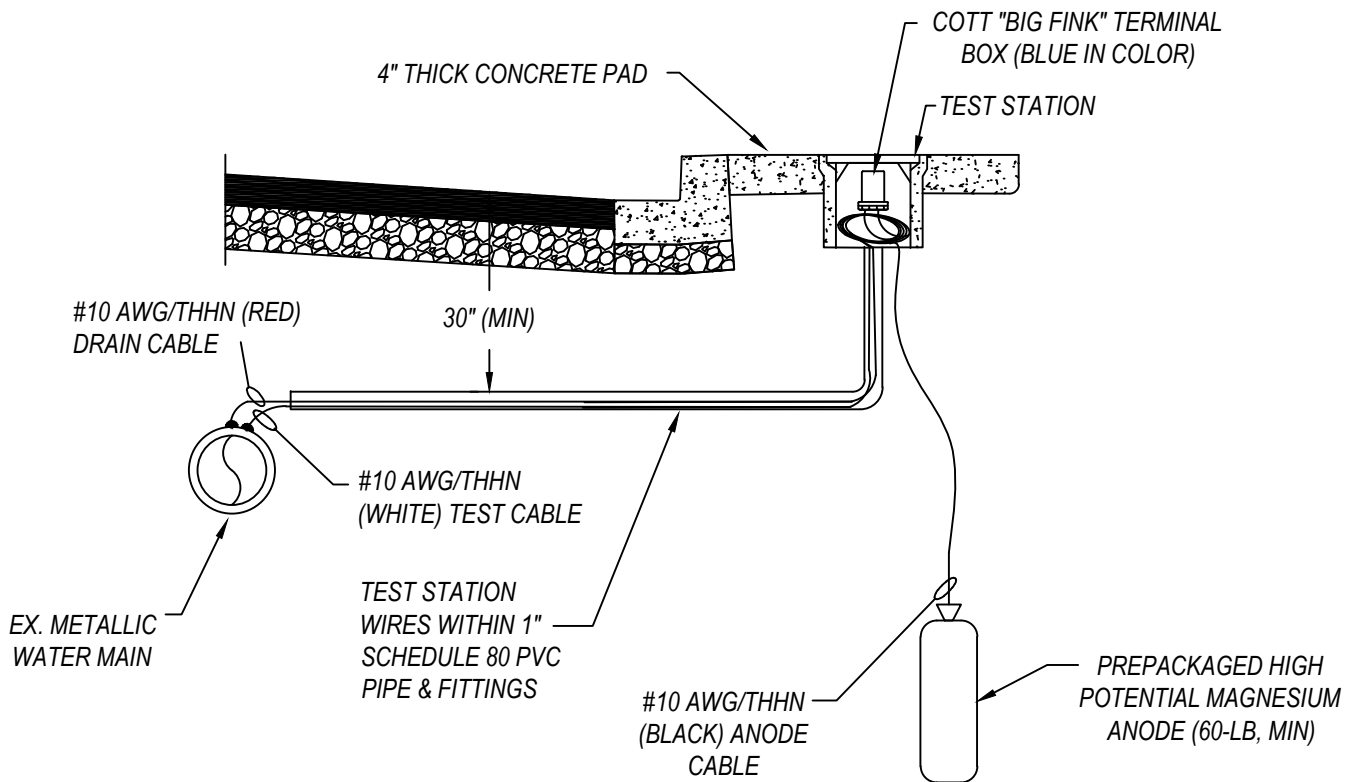


PLAN VIEW



ELEVATION VIEW

NOTES:

1. CONTRACTOR TO PROVIDE COTT "BIG FINK" TEST STATION AND ASSOCIATED FITTINGS AND BRING WIRES INTO NEW RISER BOX. CONTRACTOR TO ENSURE WIRES IN BOX DO NOT SHORT TO EACH OTHER UNTIL AFTER CITY PERSONNEL TEST WIRE CONNECTIVITY.
2. CITY PERSONNEL SHALL TEST WIRE CONNECTIVITY PRIOR TO INSTALLATION OF TERMINAL BOX.

CITY OF NAPA

PUBLIC WORKS DEPARTMENT

TITLE
EXISTING SYSTEM - ANODE TEST STATION

DRAWN BY: DCF
DATE: 07/2017
SCALE: NTS
FIELD NOTES:

CHECKED BY: MJH
APPROVED BY: MJH
DRAWING NO. W-26B