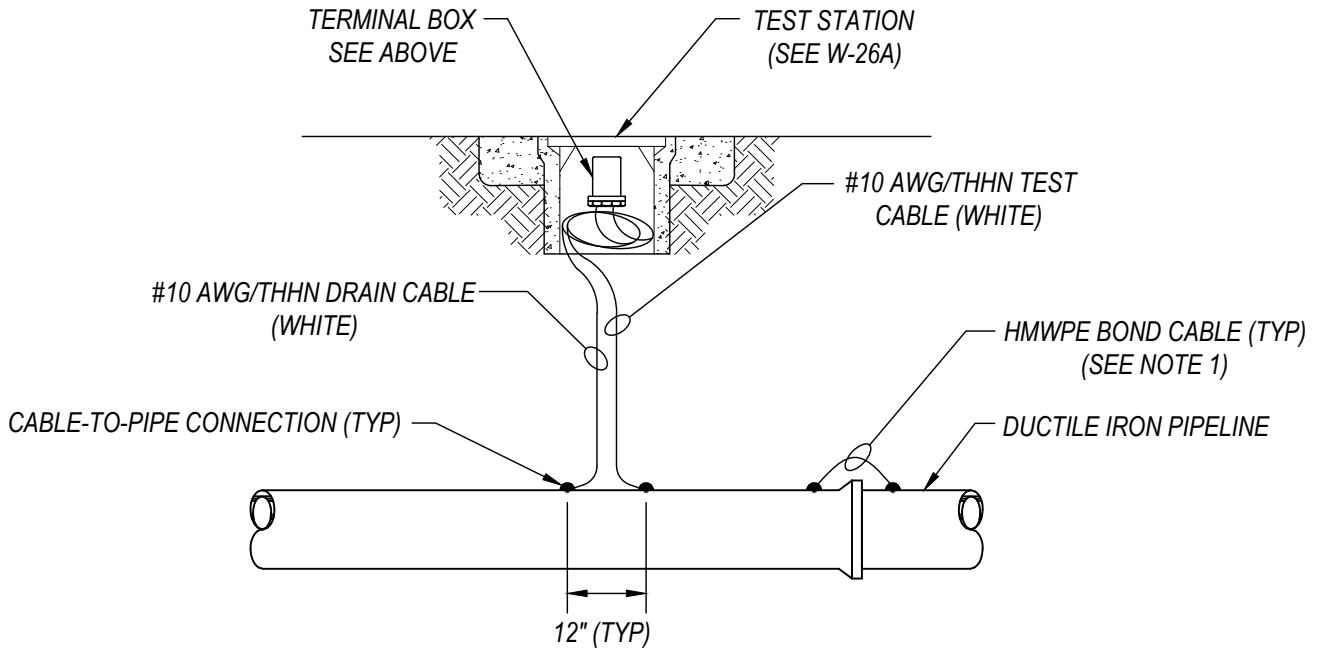


**CTS TERMINAL BOX**



**NOTES:**

1. BOND ALL BURIED, NON-WELDED, PIPE JOINTS PER DRAWING W-23B.
2. IDENTIFY CABLES PER DRAWING W-26C.

CITY OF NAPA

UTILITIES DEPARTMENT

TITLE

CORROSION TEST STATION

DRAWN BY: DF  
 APPROVAL DATE: 09/2021  
 SCALE: NTS  
 REVISED DATE: 09/2021

CHECKED BY: SL  
 APPROVED BY: DD  
 DRAWING NO. W-27A