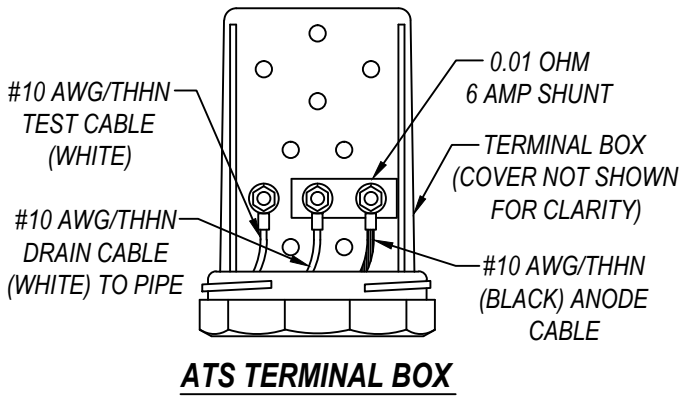
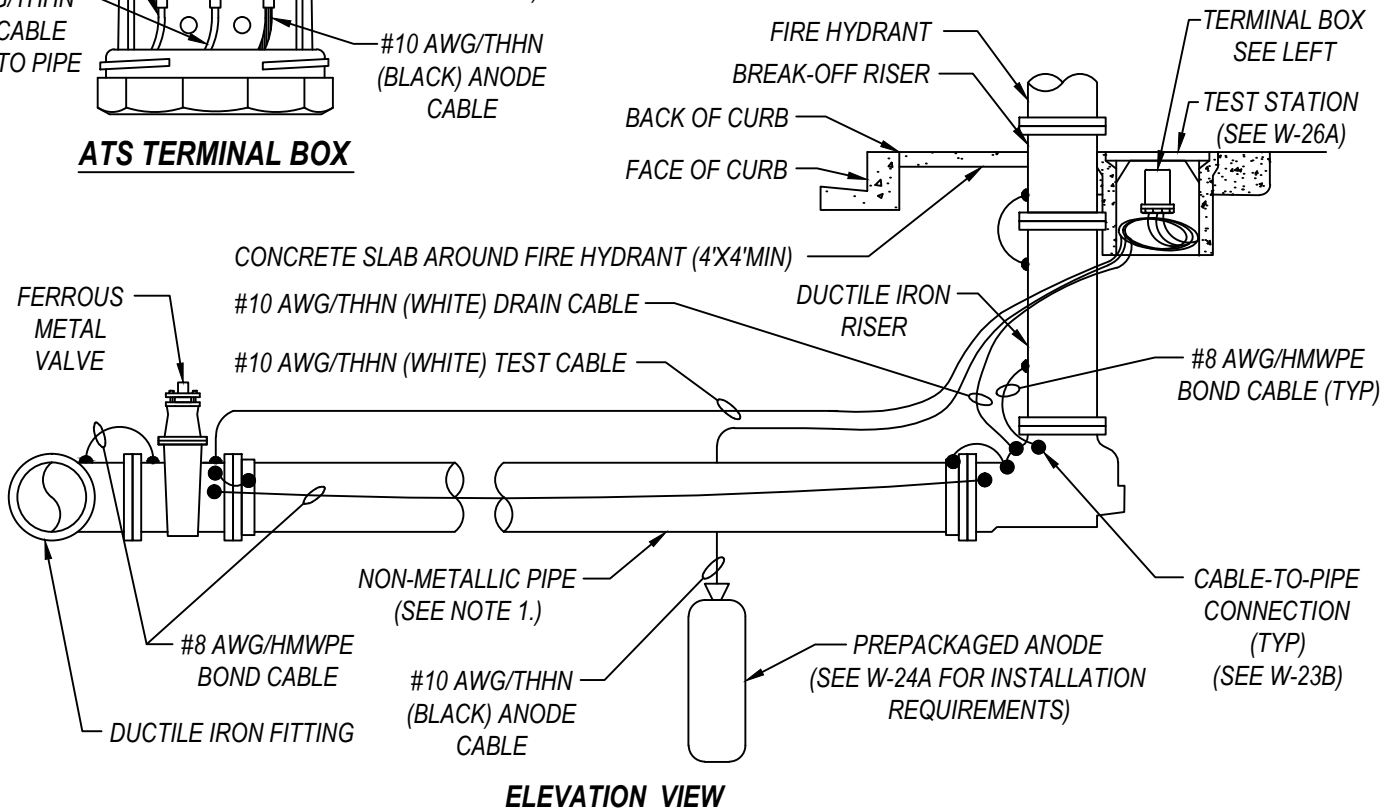


PLAN VIEW



ATS TERMINAL BOX



ELEVATION VIEW

NOTES:

1. THE USE OF NON-METALLIC PIPE AS AN ALTERNATE MATERIAL TO DUCTILE IRON MUST BE APPROVED BY THE CITY OF NAPA WATER DIVISION PRIOR TO USE.
2. IDENTIFY CABLES PER DRAWING W-26C.

CITY OF NAPA

PUBLIC WORKS DEPARTMENT

TITLE
FIRE HYDRANT - ANODE TEST STATION

DRAWN BY: DCF

CHECKED BY: MJH

DATE: 07/2017

APPROVED BY: MJH

SCALE: NTS

DRAWING NO.

FIELD NOTES:

W-28B