

## SERVICE LINE INSTALLATION

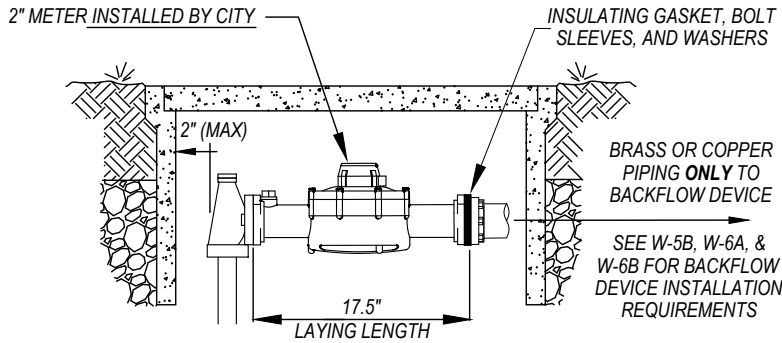
ALTERNATE MATERIALS MUST BE APPROVED BY THE CITY OF NAPA WATER DIVISION PRIOR TO USE

FLANGETYTE GASKETS BY U.S. PIPE SHALL BE USED FOR ALL FLANGED FITTINGS. INSULATING GASKETS SHALL BE TYPE E 1/8" THICK FULL-FACED NEOPRENE PHENOLIC GASKETS INSTALLED WITH GRADE G-10 FIBERGLASS EPOXY INSULATING BOLT SLEEVES AND WASHERS.

### APPROVED FITTINGS

DESCRIPTION	MUELLER	FORD
INSULATED CORP. STOP (MIP x COMP)	N-35028-1 550N	-
2" BRASS SQ. WRENCH NUT ADAPTER	B-20299	-
COUPLING (COMP x COMP)	H-15403	C44-77S-Q
90° BEND (COMP x COMP)	H-15526	L44-77-Q
ANGLE STOP (COMP x METER FLANGE)	B-24276	BFA43-77W-G

\*\* SHALL BE INSULATED FITTINGS BY MUELLER OR JONES



## 2" METER INSTALLATION

### NOTES

- OBSTRUCTIONS:** METERS SHALL BE PLACED 3-FT MIN. FROM ANY OBSTRUCTION (SIGNS, FENCES, MAILBOX, ETC.). METERS SHALL BE INSTALLED 10-FT MIN. FROM TREES (5-FT MIN. FROM SHRUBS). SEE W-18 FOR ADDITIONAL DETAILS.
- WATER-SEWER SEPARATION:** WATER-SEWER (OR WATER-RECYCLED WATER) SEPARATION SHALL COMPLY WITH ALL STATE WATER RESOURCES CONTROL BOARD REQUIREMENTS. WATER SERVICES SHALL BE 10-FT MIN. (PARALLEL) AND 1-FT MIN. ABOVE (PERPENDICULAR) ALL SEWER (OR RECYCLED WATER) UTILITIES.
- HOT-TAP:** HOT-TAPS TO ACTIVE WATER MAINS SHALL BE MADE BY CITY FORCES AT APPLICANT'S EXPENSE. SEE W-16 FOR HOT-TAP REQUIREMENTS. HOT-TAP SHALL BE INSTALLED 36" MIN. FROM ANY TAP, BELL, FITTING, WATER SERVICE, ETC.
- METER INSTALLATION:** METER, ISOLATION GASKET (FOR METER ONLY), BOLT SLEEVES, REDUCER FITTINGS, AND WASHERS ARE PROVIDED BY CITY OF NAPA AFTER PAYMENT OF METER SET FEE AND INSTALLED BY CITY.
- METALLIC PIPE AND FITTINGS:** BURIED SECTIONS SHALL BE WRAPPED WITH AN 8-MIL PLASTIC SLEEVE. COPPER PIPE NOT WRAPPED IN A PLASTIC SLEEVE SHALL BE NSF 61 APPROVED PLASTIC COATED COPPER TUBING (TYPE "K" SOFT BLUE IN COLOR). INSULATED COUPLING SHALL BE WRAPPED WITH 10-MIL HIGH TACK PIPE WRAP TAPE 3-FT MIN. TO EACH SIDE OF THE INSULATION POINT.
- METER BOX AND SERVICE LINE INSTALLATION:** INSTALL 3-FT MIN. OUTSIDE ANY VEHICULAR ACCESS WAY.
- CURB ADJACENT SIDEWALK:** INSTALL THE METER AT BACK OF CURB AS SHOWN. INSTALL BACKFLOW DEVICE BEHIND SIDEWALK.
- BACKFLOW PREVENTION DEVICES:** APPROVED DEVICES SHALL BE INSTALLED AND TESTED AND WATER METERS SHALL BE SET, PRIOR TO ANY USE OF WATER SERVICE. USE OF JUMPERS, HOSE BIBS, OR OTHER DEVICES SHALL NOT BE PERMITTED.
- TWO OR MORE SERVICES:** INSTALLATION OF TWO OR MORE SERVICES REQUIRE CONNECTION OF PERMANENT ADDRESS TAGS FOR EACH METER WHICH SHALL BE DURABLY FIXED TO THE METER PRIOR TO WATER SERVICE ACTIVATION.
- WATER SERVICE SIZE:** ALL WATER SERVICES SHALL BE APPROPRIATELY SIZED FOR THE INTENDED USE. THE WATER DIVISION RESERVES THE RIGHT TO REQUIRE A WATER SERVICE ANALYSIS TO EVALUATE DEMANDS AND THE APPROPRIATENESS OF THE SERVICE SIZE(S). UNDERSIZED WATER SERVICES ARE PROHIBITED.

CITY OF NAPA

UTILITIES DEPARTMENT

TITLE

2" WATER SERVICE

DRAWN BY: DF  
 APPROVAL DATE: 09/2021  
 SCALE: NTS  
 REVISED DATE: 09/2021

CHECKED BY: SL  
 APPROVED BY: DD  
 DRAWING NO. W-2B