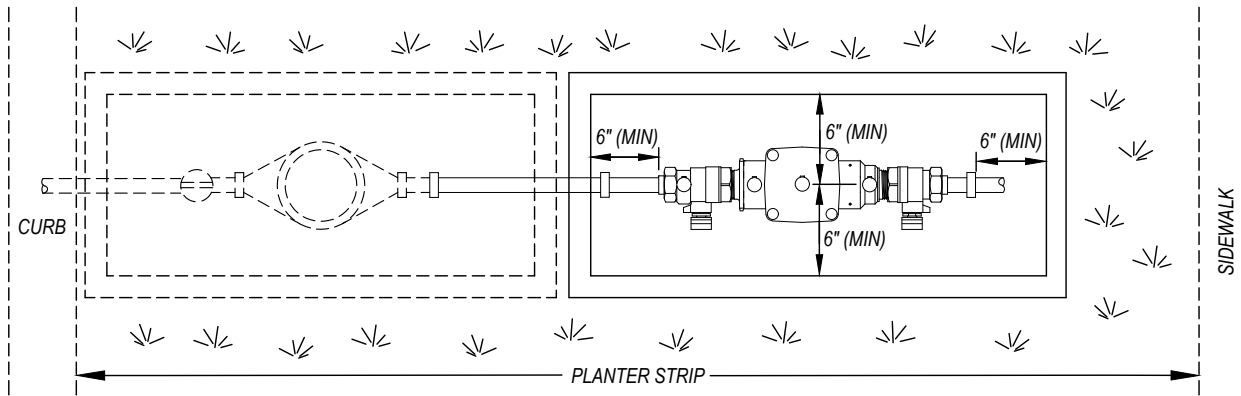


PROFILE



PLAN

CLEARANCE REQUIREMENTS

**** LEAD FREE DEVICES ONLY ****

ALTERNATE MATERIALS MUST BE APPROVED BY THE CITY OF NAPA WATER DIVISION PRIOR TO USE

NOTES

1. **CURB ADJACENT SIDEWALK:** INSTALL METER AT BACK OF CURB AS SHOWN. INSTALL BACKFLOW DEVICE AT BACK OF SIDEWALK.
2. DOUBLE CHECK VALVE MUST BE INSTALLED IN A TRUE HORIZONTAL POSITION.
3. DOUBLE CHECK VALVE MUST BE INSTALLED WITHIN IN A PROTECTIVE BOX. STACKED BOXES SHALL BE USED AS NEEDED TO MAINTAIN CLEARANCE REQUIREMENTS.
4. NO CONNECTIONS ARE ALLOWED BETWEEN THE WATER METER AND THE DOUBLE CHECK VALVE ASSEMBLY.
5. ALL PARTS MUST BE EASILY ACCESSIBLE FOR INSPECTION BY THE UTILITIES - WATER DIVISION.
6. ANY OTHER LOCATION OR METHOD OF INSTALLATION MUST BE APPROVED IN ADVANCE BY THE UTILITIES - WATER DIVISION.
7. INSTALLATION MUST BE APPROVED BY THE UTILITIES - WATER DIVISION AND THE DEVICE TESTED BY A CITY APPROVED AWWA CERTIFIED BACKFLOW TESTER BEFORE WATER IS TURNED ON.
8. BACKFLOW DEVICES MUST BE APPROVED BY THE STATE WATER RESOURCES CONTROL BOARD AND THE UNIVERSITY OF SOUTHERN CALIFORNIA (USC) HYDRAULIC RESEARCH SECTION. FOR USC'S FOUNDATION LIST OF APPROVED DEVICES GO TO [HTTPS://FCCCHR.USC.EDU/LIST.HTML](https://fccchr.usc.edu/list.html).
9. NO TREES SHALL BE PLANTED WITHIN 10-FT, OR LARGE SHRUBS WITHIN 5-FT, OF DOUBLE CHECK VALVE.
10. APPROVED BACKFLOW PREVENTION DEVICES SHALL BE INSTALLED AND TESTED AND WATER METERS SHALL BE SET, PRIOR TO ANY USE OF WATER SERVICE. USE OF JUMPERS, HOSE BIBS, OR OTHER DEVICES SHALL NOT BE PERMITTED.

CITY OF NAPA

UTILITIES DEPARTMENT

TITLE
**DOUBLE CHECK VALVE
 BACKFLOW DEVICE INSTALLED FOR
 3/4" AND 1" WATER SERVICES**

DRAWN BY: DF
 APPROVAL DATE: 09/2021
 SCALE: NTS
 REVISED DATE: 09/2021

CHECKED BY: SL
 APPROVED BY: DD
 DRAWING NO. W-5A