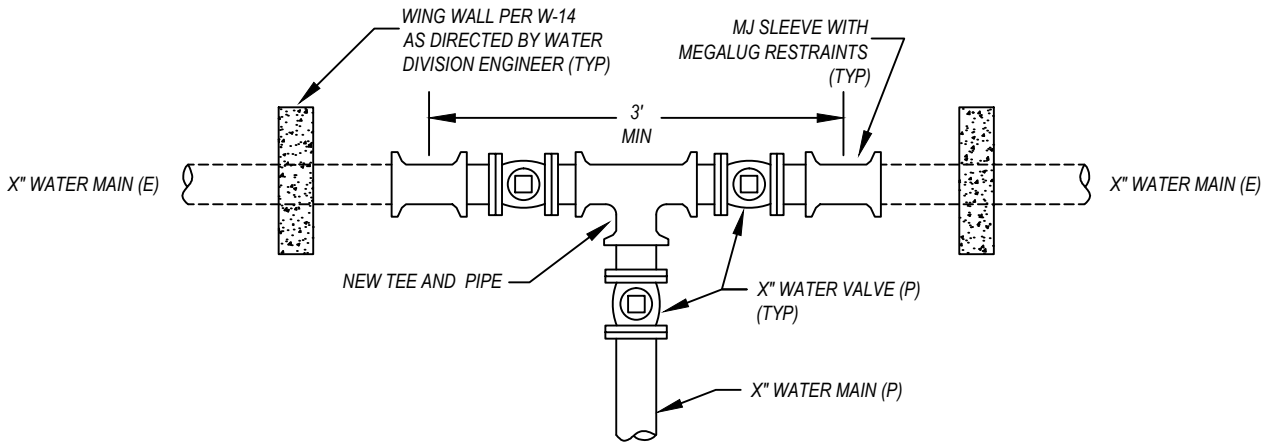


WATER SERVICE TEE



WATER DISTRIBUTION MAIN TEE

NOTES

1. THE CONTRACTOR IS RESPONSIBLE FOR NOTIFYING WATER CUSTOMERS AFFECTED BY A WATER SHUT-OFF A MINIMUM OF 48 HOURS (2 WORKING DAYS) IN ADVANCE. CITY PERSONNEL SHALL OPERATE EXISTING VALVES ON THE WATER SYSTEM. CONTRACTOR TO PROVIDE A MINIMUM OF 48 HOUR (2 WORKING DAYS) NOTICE FOR CITY PERSONNEL BY CALLING 707-257-9544 TO SCHEDULE SHUTDOWN.

CITY OF NAPA

PUBLIC WORKS DEPARTMENT

TITLE
**WATER SERVICE / DISTRIBUTION MAIN
 TIE-IN**

DRAWN BY: DCF
 DATE: 07/2017
 SCALE: NTS
 FIELD NOTES:

CHECKED BY: MJH
 APPROVED BY: MJH
 DRAWING NO. W-16B