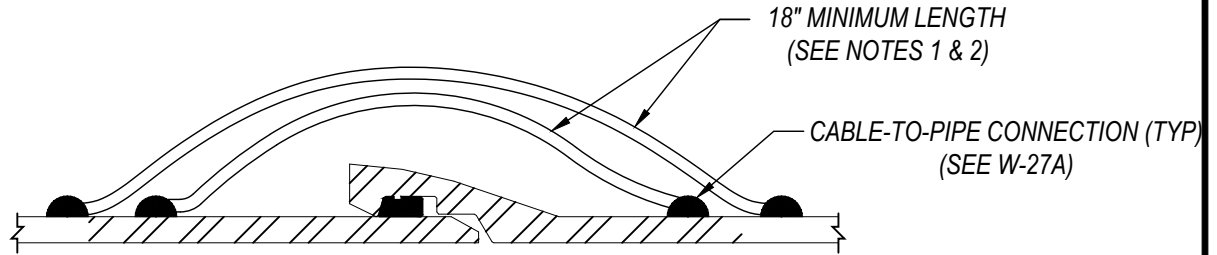
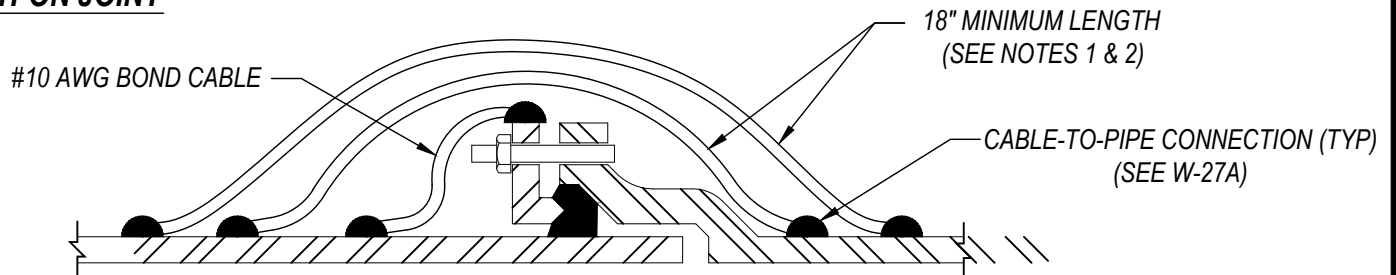


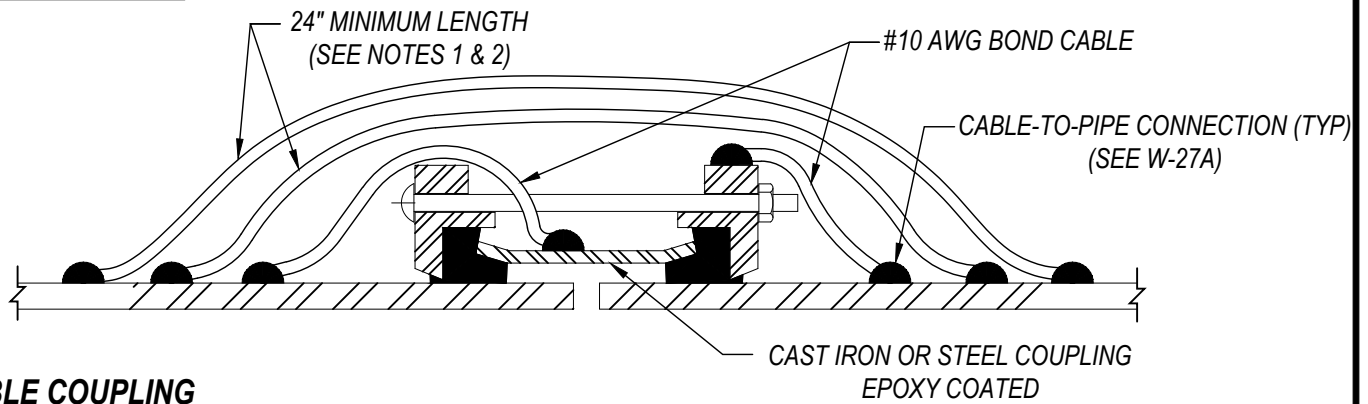
FLANGED JOINT



PUSH-ON JOINT



MECHANICAL JOINT



FLEXIBLE COUPLING

NOTES:

1. USE (2) #10 AWG/HMWPE BOND CABLES FOR BONDING METALLIC FITTINGS ON NON-METALLIC PIPING SYSTEMS.
2. USE (2) #4 AWG/HMWPE BOND CABLES FOR BONDING PIPE JOINTS ON METALLIC PIPING SYSTEMS PER SPECIFICATIONS.

CITY OF NAPA

UTILITIES DEPARTMENT

TITLE	BOND CABLES
DRAWN BY: DF	
APPROVAL DATE: 09/2021	
REVISD DATE: 09/2021	

CHECKED BY: SL
APPROVED BY: DD
DRAWING NO. W-23C