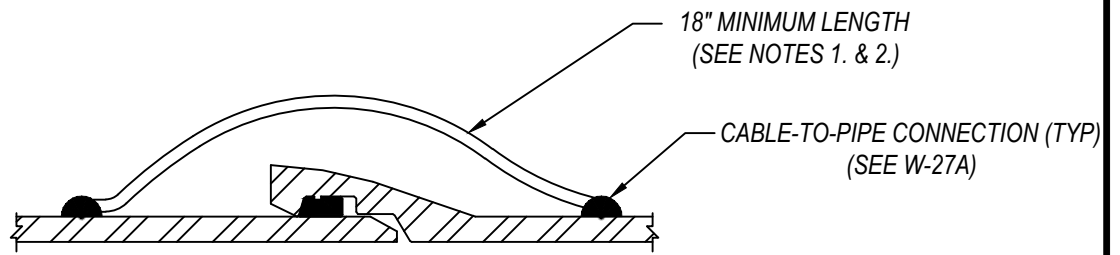
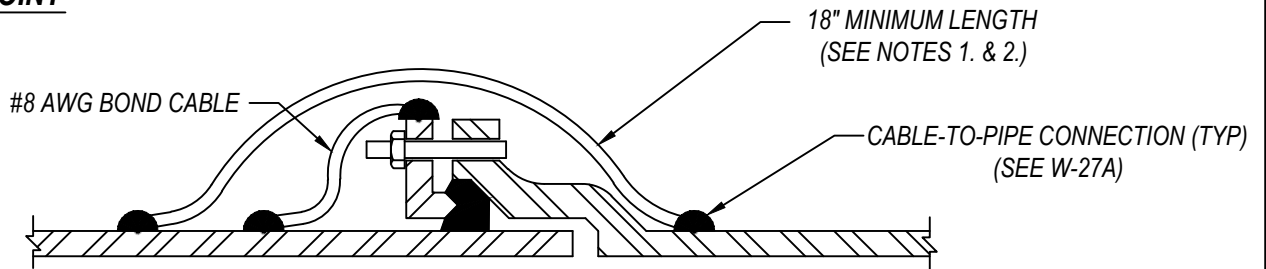


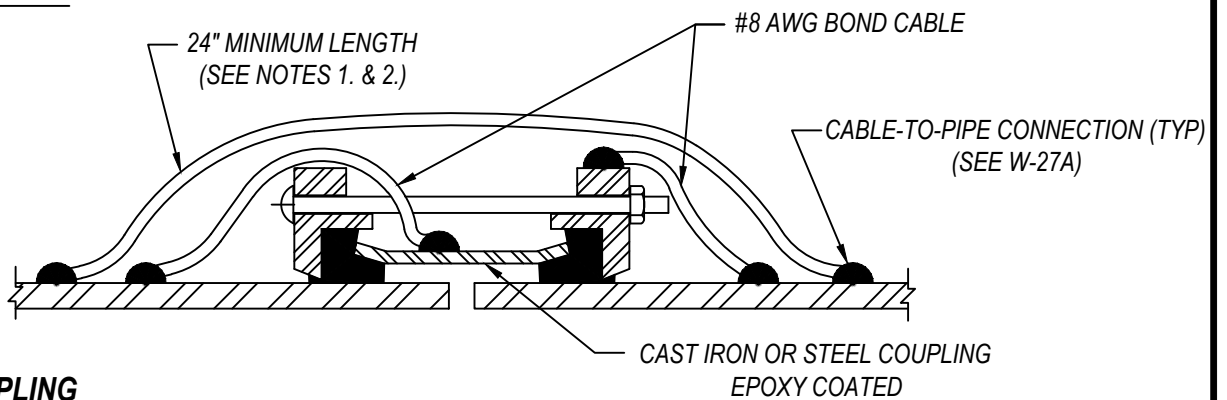
FLANGED JOINT



PUSH-ON JOINT



MECHANICAL JOINT



FLEXIBLE COUPLING

NOTES:

1. USE #8 AWG/HMWPE BOND CABLES FOR BONDING METALLIC FITTINGS ON NON- METALLIC PIPING SYSTEMS.
2. USE #4 AWG/HMWPE BOND CABLES FOR BONDING PIPE JOINTS ON METALLIC PIPING SYSTEMS PER SPECIFICATIONS.

CITY OF NAPA

PUBLIC WORKS DEPARTMENT

TITLE

BOND CABLES

DRAWN BY: DCF

CHECKED BY: MJH

DATE: 07/2017

APPROVED BY: MJH

SCALE: NTS

DRAWING NO.

FIELD NOTES:

W-23C