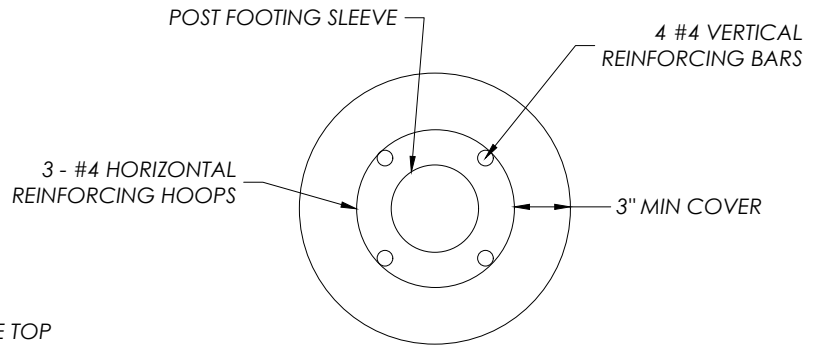
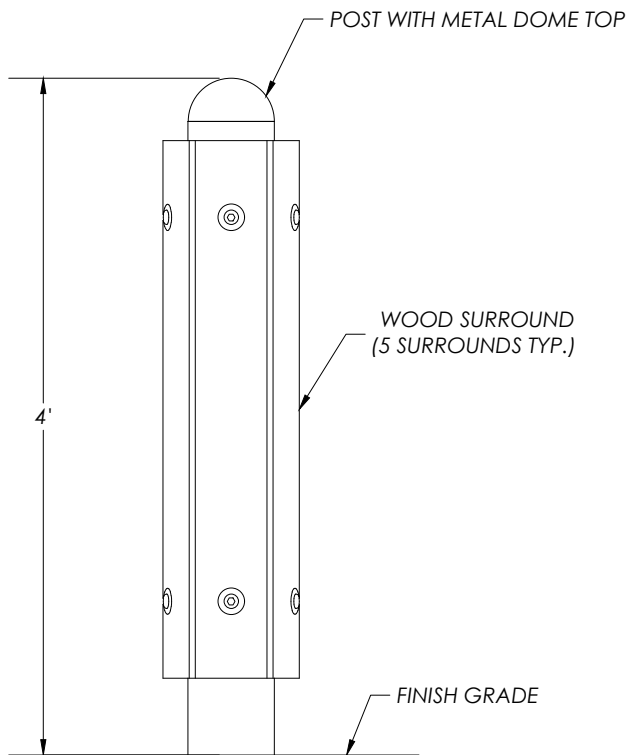


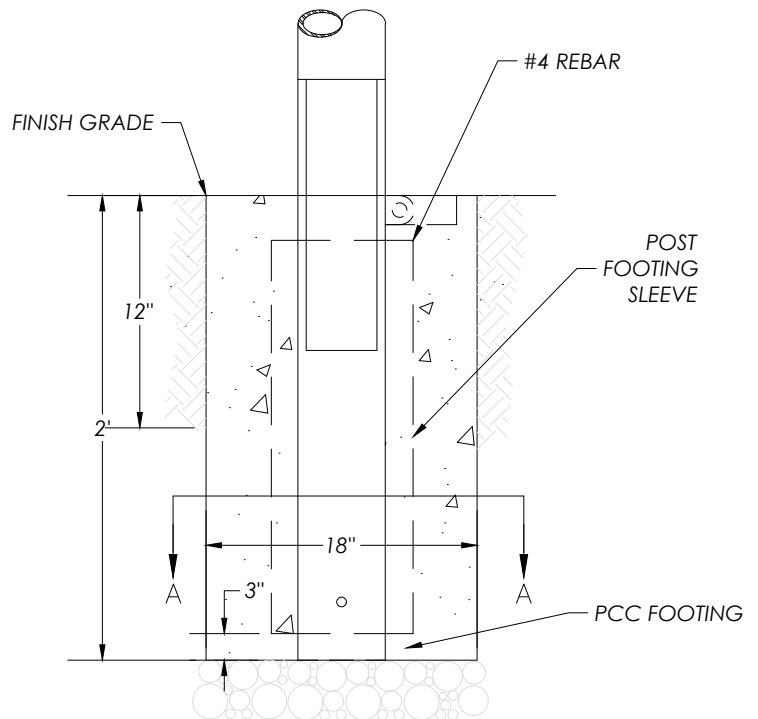
TOP VIEW



SECTION A-A



FRONT VIEW



REMOVEABLE MOUNTING

NOTES

1. USE TIMBERFORM MODEL NO. 2191-R METAL
2. CONCRETE FOOTING AND NO.1 REBAR REQUIRED

CITY OF NAPA

PUBLIC WORKS DEPARTMENT

TITLE

METAL (BLACK) BOLLARD
WITH WOOD SURROUND

DRAWN BY: BRL

DATE: 06/2018

SCALE: NONE

FIELD NOTES:

CHECKED BY: DMP

APPROVED BY: JRL

DRAWING NO.

PL-13