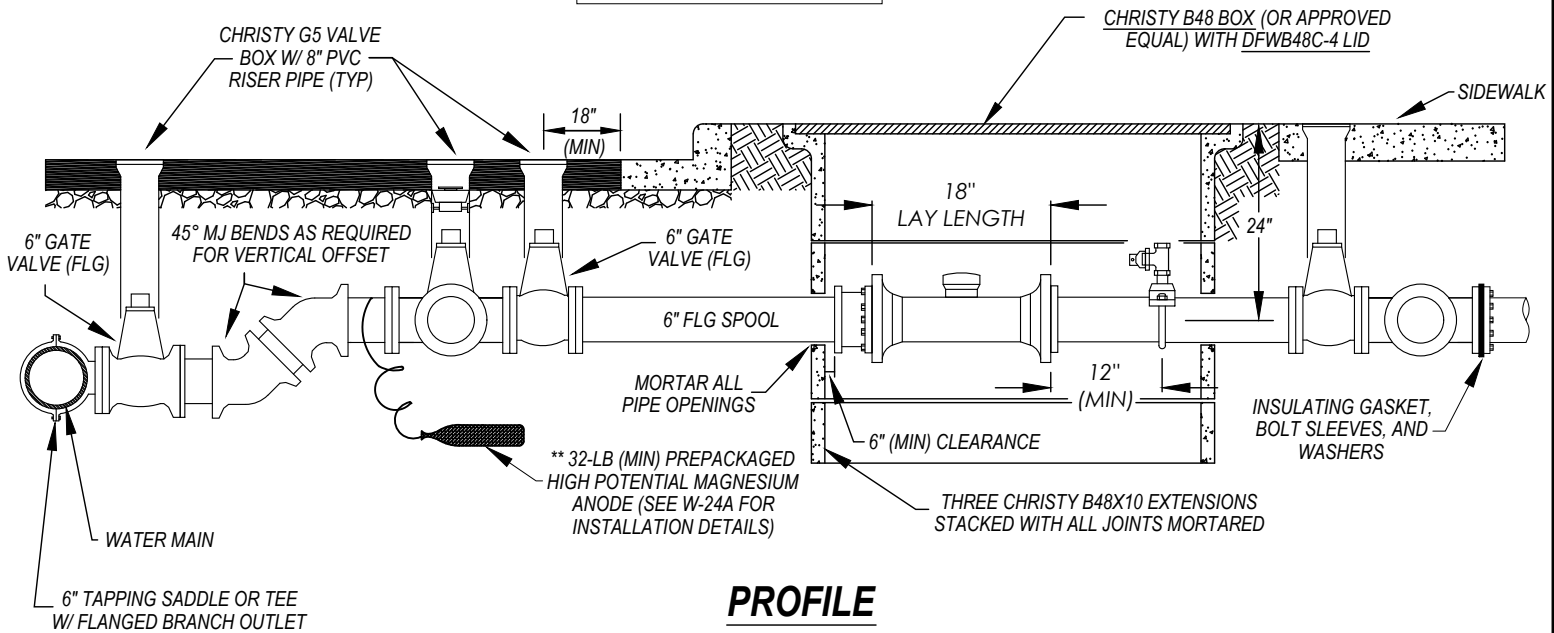


**PLAN**

**ALL JOINTS SHALL BE RESTRAINED.**  
 FITTINGS: MEGALUG RESTRAINTS, OR EQUAL  
 PIPE BELLS: FIELD LOK GASKETS, OR EQUAL

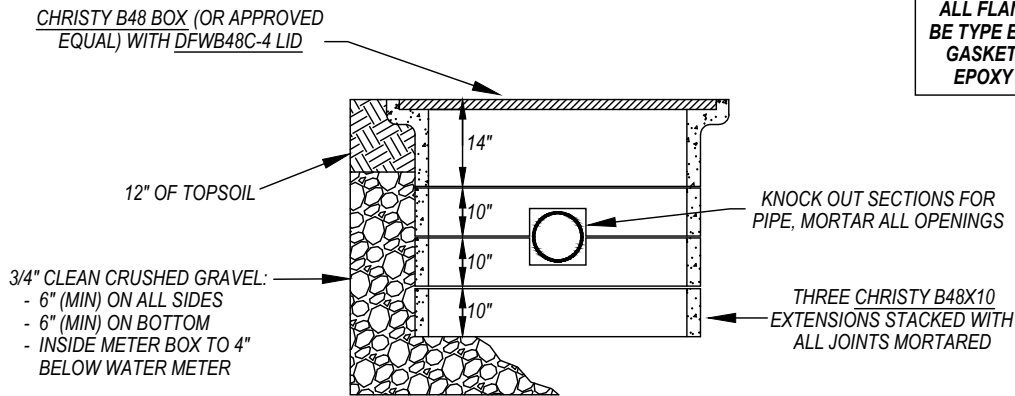
**\*\* REQUIRED FOR ALL METALLIC  
 PIPE INSTALLATIONS**

**TEFLON BLUE NUTS ONLY.**  
 SEE NOTE 3



**PROFILE**

**FLANGETYTE GASKETS BY U.S. PIPE SHALL BE USED FOR ALL FLANGED FITTINGS. INSULATING GASKETS SHALL BE TYPE E 1/8" THICK FULL-FACED NEOPRENE PHENOLIC GASKETS INSTALLED WITH GRADE G-10 FIBERGLASS EPOXY INSULATING BOLT SLEEVES AND WASHERS.**



**DETAIL**

METER BOX INSTALLATION

**ALTERNATE MATERIALS MUST BE APPROVED BY THE CITY OF NAPA WATER DIVISION PRIOR TO USE**

CITY OF NAPA

UTILITIES DEPARTMENT

TITLE	DRAWN BY: DF	CHECKED BY: SL
6" WATER SERVICE	APPROVAL DATE: 09/2021	APPROVED BY: DD
	SCALE: NTS	DRAWING NO.
	REVISED DATE: 09/2021	W-3C.1

DRAWN BY: DF	CHECKED BY: SL
APPROVAL DATE: 09/2021	APPROVED BY: DD
SCALE: NTS	DRAWING NO.
REVISED DATE: 09/2021	W-3C.1

**NOTES**

1. METER BOX AND SERVICE LINE SHALL BE INSTALLED 3-FT (MIN) OUTSIDE OF DRIVEWAY, DRIVEWAY APPROACHES, AND OTHER VEHICULAR ACCESS WAYS.
2. SERVICE LATERAL (FROM WATER MAIN TO TEE AT METER/BYPASS SPLIT) SHALL BE 6" C900 PVC OR CLASS 350 DUCTILE IRON PIPE.
3. ALL BOLTS, STUDS, NUTS, AND WASHERS SHALL BE TYPE 304 STAINLESS STEEL WITH TEFLON BLUE NUTS, AND CONFORM TO THE LATEST VERSION OF AWWA C111.
4. ALL BURIED SECTIONS OF METALLIC PIPE AND FITTINGS SHALL BE WRAPPED WITH AN 8-MIL POLYETHYLENE WRAP. ALL BURIED INSULATED GASKETS SHALL BE WRAPPED WITH 10-MIL HIGH TACK PIPE WRAP TAPE 3-FT (MIN) TO EACH SIDE OF THE INSULATION POINTS.
5. EXISTING WATER MAINS SHALL BE HOT-TAPPED BY CITY FORCES AT DEVELOPER'S EXPENSE. HOT-TAP INCLUDES SADDLE, VALVE, G5 BOX, PVC RISER, AND MISCELLANEOUS FITTINGS. SEE W-16 FOR HOT-TAP REQUIREMENTS. HOT TAPS SHALL BE 36" (MIN) FROM ANY TAP, BELL, FITTING, OR OTHER SERVICE.
6. A TEE AND 6" GATE VALVE SHALL BE INSTALLED INSTEAD OF A HOT-TAP WHEN THE EXISTING WATER MAIN IS 6" IN DIAMETER, OR WHEN IT IS INSTALLED AS PART OF A NEW WATER MAIN INSTALLATION. 6" WATER SERVICES SHALL NOT BE INSTALLED ON WATER MAINS SMALLER THAN 6" IN DIAMETER.
7. APPROVED BACKFLOW PREVENTION DEVICES SHALL BE INSTALLED AND TESTED, AND WATER METERS SHALL BE SET, PRIOR TO ANY USE OF WATER SERVICE. USE OF JUMPERS, HOSE BIBS, OR OTHER DEVICES SHALL NOT BE PERMITTED.
8. METERS SHALL BE PLACED A MINIMUM OF 3-FT FROM ANY OBSTRUCTION (SIGN POST, MAIL BOX, FENCES, WALLS, ETC.). NO TREES SHALL BE PLANTED WITHIN 10-FT OR LARGE SHRUBS WITHIN 5-FT OF THE METER BOX. SEE W-18 FOR ADDITIONAL REQUIREMENTS.
9. SERVICES SHALL BE SIZED APPROPRIATELY FOR THE INTENDED USE OF THE SERVICE. WATER DIVISION MAY REQUEST AN ENGINEERED WATER ANALYSIS OF THE SYSTEM (NEW OR EXISTING) TO EVALUATE THE APPROPRIATENESS OF THE WATER SERVICE SIZE. NO UNDERSIZED WATER SERVICES SHALL BE PERMITTED.
10. 2" (MIN) BYPASS (SIZE MAY BE MODIFIED TO MATCH THE SERVICE SIZE UPON APPROVAL OF THE WATER DIVISION ENGINEER).

CITY OF NAPA

UTILITIES DEPARTMENT

TITLE

6" WATER SERVICE

DRAWN BY: DF

CHECKED BY: SL

APPROVAL DATE: 09/2021

APPROVED BY: DD

SCALE: NTS

DRAWING NO.

REVISED DATE: 09/2021

W-3C.2