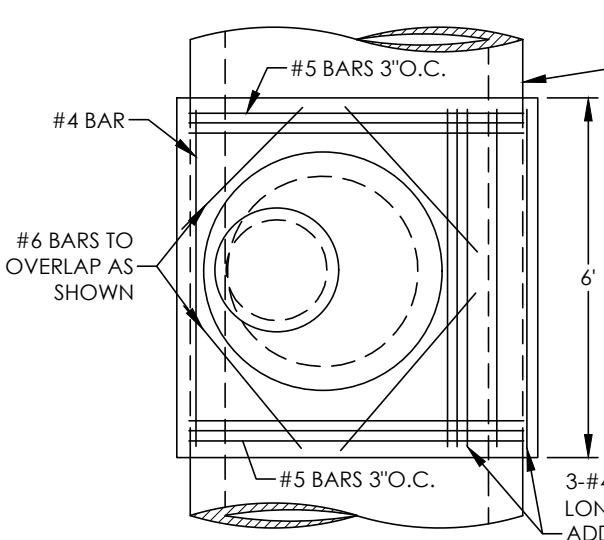


PROFILE



PLAN

PIPE SHALL BE LAID THRU M.H. FOR BOTH CAST IN PLACE & PRECAST PIPE OPTION

NOTES

1. PRECAST CONCRETE PIPE SECTIONS, GRADE RINGS AND TAPERED SECTIONS SHALL CONFORM TO THE REQUIREMENTS OF ASTM SPEC. C-478.
2. PAVE STREET THEN RAISE MANHOLE TO GRADE PER CITY STD D-14.

CITY OF NAPA

PUBLIC WORKS DEPARTMENT

**STANDARD MANHOLE
54" DIAMETER OR LARGER PIPE**

| | |
|--------------|---------|
| DRAWN BY: | BRL |
| DATE: | 06/2018 |
| SCALE: | NONE |
| FIELD NOTES: | |

| | |
|--------------|-----|
| CHECKED BY: | JGF |
| APPROVED BY: | JRL |
| DRAWING NO. | D-8 |