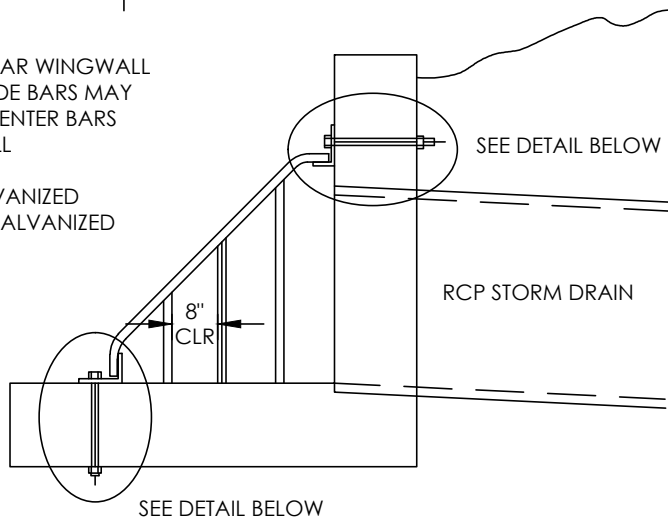


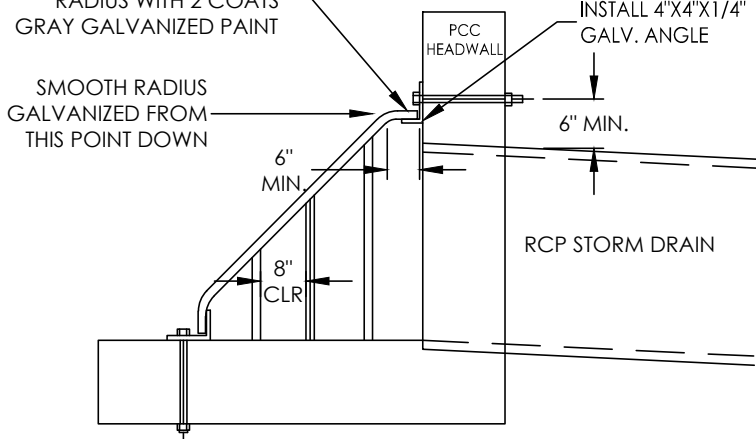
IF PERPENDICULAR WINGWALL IS AVAILABLE SIDE BARS MAY BE DELETED IF CENTER BARS EXTEND TO WALL

INSTALL 2" GALVANIZED SCHEDULE 80 GALVANIZED PIPE



CLEAN AND PAINT ALL EXPOSED AREAS ABOVE RADIUS WITH 2 COATS GRAY GALVANIZED PAINT

SMOOTH RADIUS GALVANIZED FROM THIS POINT DOWN



6" MIN. BETWEEN BOLT AND TOP OF WALL

3/4" DIA. BOLT WITH 1 1/2" DIA. WASHER EACH SIDE, 12" O.C.

USE NYLOCK FASTENERS, APPROVED CONCRETE ANCHOR OR APPROVED EQUAL

CITY OF NAPA

PUBLIC WORKS DEPARTMENT

STORM DRAIN INLET TRASH RACK

DRAWN BY: LFM

CHECKED BY: JGF

DATE: 06/2018

APPROVED BY: JRL

SCALE: NONE

DRAWING NO.

FIELD NOTES:

D-13