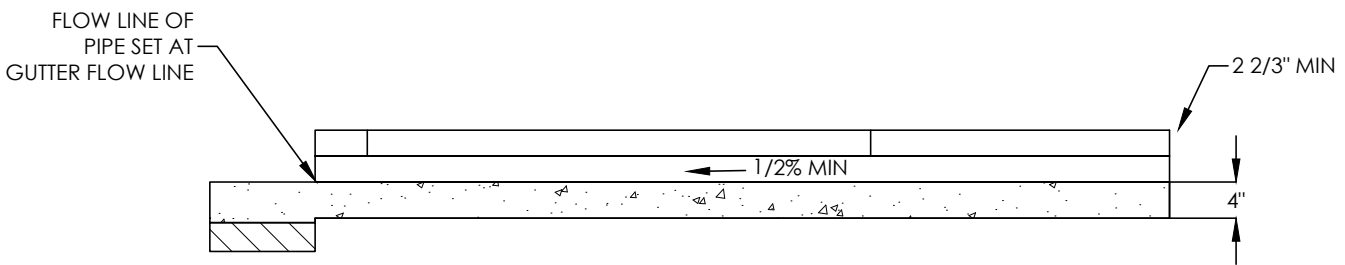
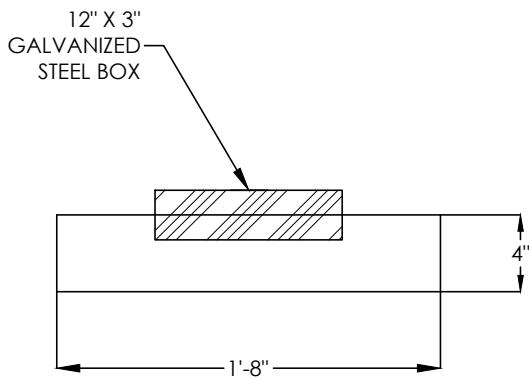


PLAN



SECTION A-A



SECTION B-B

NOTES

1. WITH APPROVAL OF PUBLIC WORKS DEPARTMENT WIDTH MAY VARY FROM 6" TO 12".
2. GALVANIZED STEEL TO BE 1/4" THICK
3. ALL CONCRETE SHALL BE 4000 PSI (6 SACK PER CUBIC YARD)
4. REMOVE CURB AND GUTTER A MINIMUM OF ONE FOOT ON EACH SIDE OF THE DRAIN. DOWEL NEW GUTTER TO EXISTING CURB AND GUTTER WITH (2) 12" #4 REBARS. PLACE ONE DOWEL IN CURB AND ONE IN GUTTER PAN USING EPOXY
5. IF SIDEWALK AND CURB ARE CONTINUOUS, POUR MONOLITHIC WITH WIRE FABRIC EXTENDING INTO CURB

CITY OF NAPA

PUBLIC WORKS DEPARTMENT

COMMERCIAL UNDER
SIDEWALK DRAIN

DRAWN BY: BRL

CHECKED BY: JGF

DATE: 06/2018

APPROVED BY: JRL

SCALE: NONE

DRAWING NO.

FIELD NOTES:

D-5B