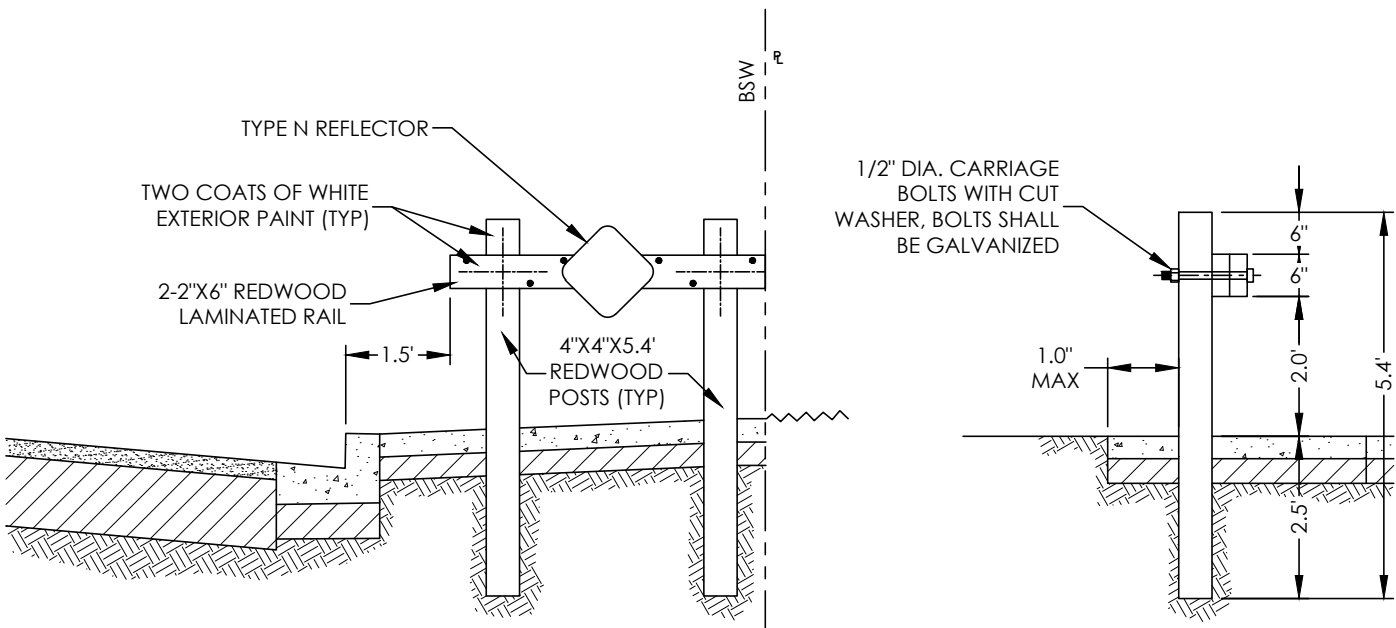


STANDARD PLANTER/SIDEWALK SECTION



ALTERNATE CURB ADJACENT SIDEWALK

SIDE VIEW OF BARRIER

NOTES

1. INSTALL 18"X18" 0.080 GA ALUMINUM TYPE N REFLECTOR WITH 3M DIAMOND CUBED SHEETING (YELLOW COVERED WITH ELECTRO CUT SHEETING). 3M 1160 GRAFFITI FILM SHALL BE APPLIED BEFORE INSTALLATION.

CITY OF NAPA

PUBLIC WORKS DEPARTMENT

STANDARD SIDEWALK BARRICADE

DRAWN BY: LFM

CHECKED BY: JGF

DATE: 01/2018

APPROVED BY: JRL

SCALE: NONE

DRAWING NO.

FIELD NOTES:

S-15