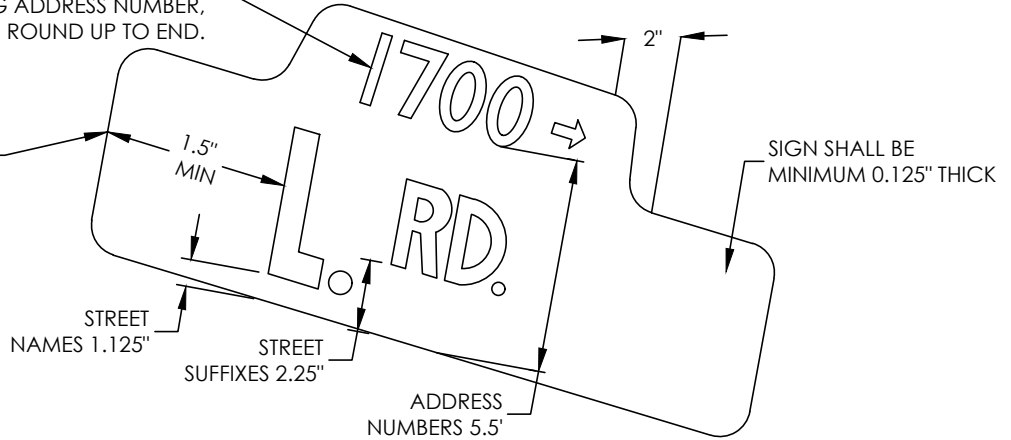
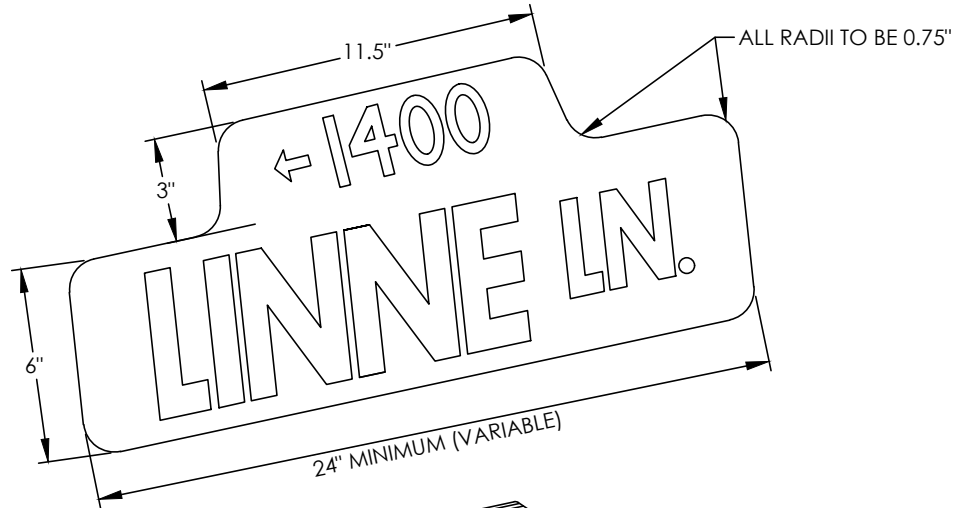
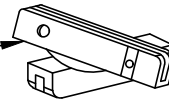


BEGINNING ADDRESS NUMBER,
ROUND DOWN TO NEAREST HUNDRED.
ENDING ADDRESS NUMBER,
ROUND UP TO END.

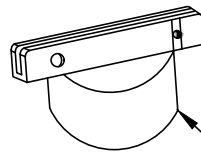
STREET NAMES SHALL BE
A MINIMUM OF 1.5" FROM
EDGE OF SIGN ON BOTH SIDES.
IF MINIMUM IS NOT MET, LARGER
SIGN WILL BE REQUIRED.



USE HALL SIGNS, INC #990F SUPR-LOK CROSS™
(OR APPROVED EQUIVALENT) TO MOUNT
IN BETWEEN SIGNS.



USE HALL SIGNS, INC
#922F SUPR-LOK CAP™,
(OR APPROVED EQUIVALENT)
TO FIT 2" I.D. GALVANIZED PIPE.



NOTES

- STREET NAMES SHALL BE 4" SERIES C, UPPER CASE LETTERING.
- STREET SUFFIXES SHALL BE 2.5", SERIES C, UPPER CASE LETTERING.
- NUMBER AND ARROW SHALL BE 2.25" SERIES C LETTERING.
- BOTH PUBLIC AND PRIVATE STREET SIGNS SHALL BE TWO-SIDED.
- PUBLIC AND PRIVATE STREET NAME SIGNS SHALL NOT BE ON THE SAME POLE.

PUBLIC STREET

- SIGN SHALL HAVE BLACK LETTERS, NUMBERS, AND ARROW ON 3M DIAMOND GRADE WHITE REFLECTIVE BACKING.

PRIVATE STREET

- SIGN SHALL HAVE WHITE LETTERS, NUMBERS, AND ARROW ON A BLUE REFLECTIVE BACKGROUND.
- WITH STREET NAME SIGNS OF DIFFERENT SIZES, THE LARGER OF THE TWO SIGNS SHALL BE PLACED ON THE BOTTOM.

CITY OF NAPA

PUBLIC WORKS DEPARTMENT

STANDARD STREET NAME SIGN

DRAWN BY:	LFM	CHECKED BY:	JGF
DATE:	06/18	APPROVED BY:	JRL
SCALE:	NONE	DRAWING NO.	S-19
FIELD NOTES:			