

ALL NOTES REFER TO DRAWING T-2

CITY OF NAPA

PUBLIC WORKS DEPARTMENT

STREET TREE PLANTING SPECIFICATIONS  
FOR 15 GALLON TREES

DRAWN BY: BRL  
 DATE: 06/2018  
 SCALE: NONE  
 FIELD NOTES:

CHECKED BY: DMP  
 APPROVED BY: JRL  
 DRAWING NO. T-1

NOTES

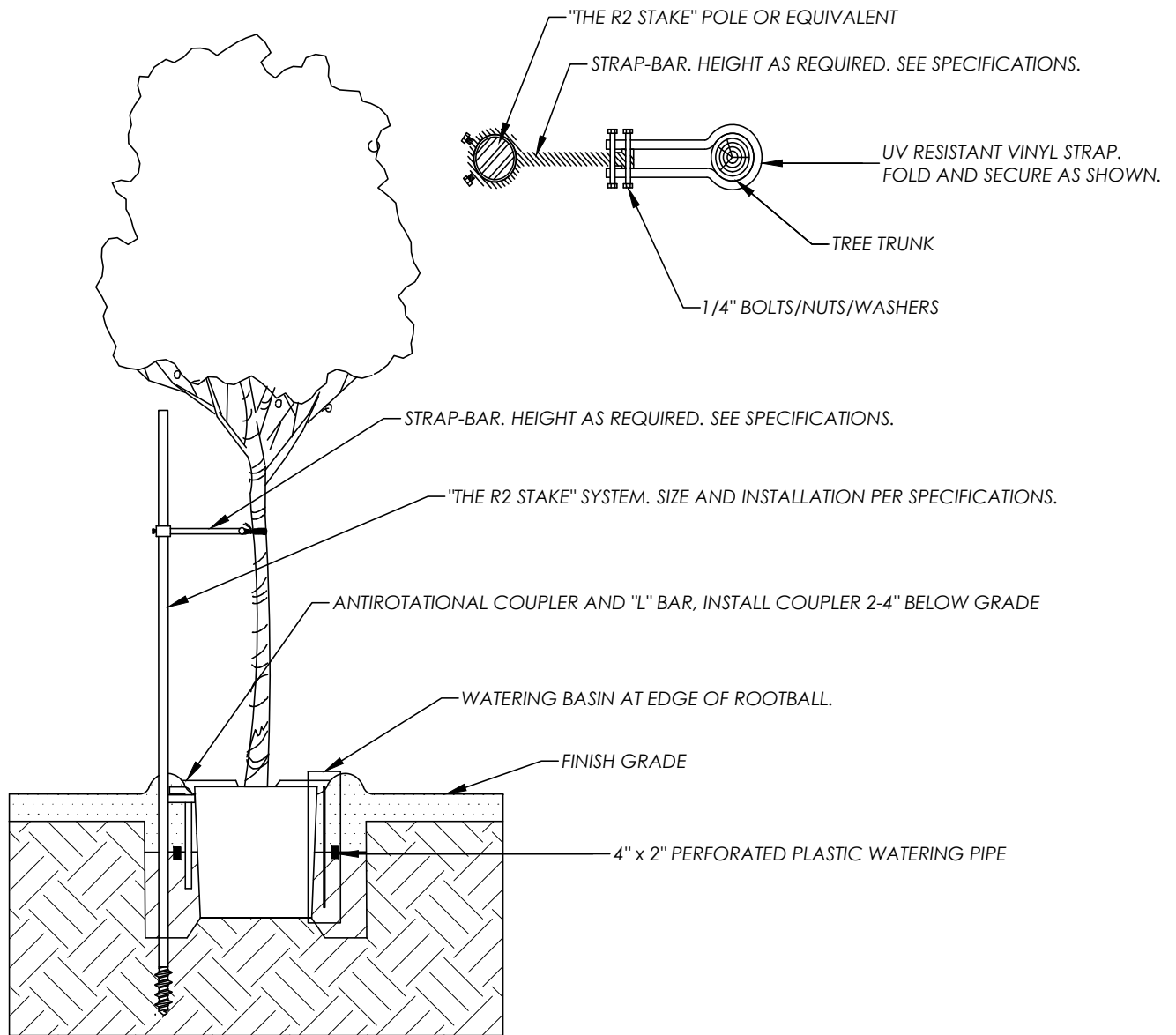
1. THE CONTRACTOR IS RESPONSIBLE FOR THE WATERING AND WELL BEING OF THE TREE UNTIL THE WORK IS ACCEPTED. REPLACING DAMAGED TO TREES IS THE CONTRACTOR'S RESPONSIBILITY UNTIL THE WORK IS ACCEPTED.
2. TREES SHALL BE PLANTED FROM A MINIMUM 15 GALLON CONTAINER AND BE A SIZE OF NOT LESS THAN 5 FT. IN HEIGHT NOR LESS THEN 3/4" IN DIAMETER. TREES SHALL HAVE A HEALTHY ROOT SYSTEM THAT IS ESTABLISHED IN ITS CONTAINER. THE ROOTS SHALL NOT BE CIRCLED IN THAT CONTAINER. TREES SHALL HAVE A SINGLE TRUNK WITH VERTICAL LEADER BRANCHES THAT HAVE NOT BEEN "TOPPED". TREE SHALL BE FREE FROM PESTS, DEAD AND DAMAGED BRANCHES OR TRUNKS. WHEN 24" BOX SIZE TREES ARE REQUIRED, TRESS SHALL BE A MINIMUM OF 8' TALL AND HAVE A MINIMUM TRUNK DIAMETER OF 1.75 ".
3. THE TREE SHALL BE PLANTED IN A HOLE APPROXIMATELY 24" SQUARE BY 24" DEEP. IN SEVERELY COMPACTED OR LAYERED SOIL IT WILL BE NECESSARY TO BREAK THE CONTINUITY OF THE HARD PAN, CLAY PAN OR COMPACTED LATER BY DIGGING DEEP ENOUGH TO PENETRATE BELOW THE PAN OR COMPACTED LAYER. THE EXCAVATED MATERIAL IN MOST CASES CAN BE RETURNED TO THE HOLE.
4. TREES SHALL BE PLANTED IN ORIGINAL SOIL MATERIAL UNLESS OTHERWISE REQUIRED BY THE ENGINEER. TREES SHALL BE SET 2" HIGHER THAN GROWN AT NURSERY.
5. INSTALL TWO DEEP WATERING PERFORATED PLASTIC PIPES AS SHOWN ON DRAWING T-1. FILL PIPES WITH 3/4" CLEAN DRAIN ROCK.
6. TREES SHALL BE STACKED WITH TWO 2" DIAMETER BY 8' MINIMUM LODGE POLE PINE STAKES OR APPROVED EQUAL AND SPACED WITH A MISSION MANUFACTURING TREE STAKE STABILIZER OR APPROVED EQUAL. STAKES SHALL BE PRESSURE TREATED WITH A WOOD PRESERVATIVE MATERIAL. TREES SHALL BE TIED WITH A 24" MINIMUM "GRO STRAIT" TREE TIES OR APPROVED EQUIVALENT.
7. EXACT LOCATION OF TREES SHALL BE DETERMINED BY THE PARKS AND RECREATION DEPARTMENT. TREE SPACING VARIES DEPENDING ON TYPE. TREES SHALL BE LOCATED A MINIMUM OF 20' FROM CURB RETURNS, 15' FROM STREET LIGHTS, 8' FROM ALL UTILITY BOXES, 6' FROM DRIVEWAYS, AND 10' FROM SEWER LATERALS AND WATER FACILITIES.
8. WHEN THE AREA BETWEEN THE CURB AND THE SIDEWALK CONTAINS A CONCRETE OR SIMILAR HARD SURFACE, A MINIMUM 40" SQUARE OPENING AROUND THE TREE SHALL BE MAINTAINED.
9. TREE SPECIES DESIGNATED FOR EACH STREET ARE ON FILE AT THE PARKS AND RECREATION DEPARTMENT OFFICE. TREE SELECTION IS MADE FROM THE CITY'S MASTER TREE LIST ACCORDING TO THE PLANTING SPACE AVAILABLE AS MEASURED FROM BACK OF CURB TO SIDEWALK. CATEGORY 1 TREES - 6' WIDE SPACE OR GREATER WITHOUT POWERLINES, CATEGORY 2 TREES - 5' TO 6' WIDE WITHOUT POWERLINES, CATEGORY 3 TREES - 3' TO 5' WIDE UNDER POWERLINES, CATEGORY 4 TREES - 2' TO 3' WIDE WITH OR WITHOUT POWERLINES.
10. NEWLY PLANTED TREES SHALL BE WATERED DEEPLY DURING THE DRY SEASON OR TWICE A WEEK BY THE PROPERTY OWNER OR OCCUPANT. WATER FOR APPROXIMATELY 10 MINUTES WITH A HOSE ADJUSTED TO VERY LOW PRESSURE. THE ROOT BALL OF THE TREE SHALL BE THOROUGHLY SOAKED. THE 2 DEEP WATERING PERFORATED PIPES THAT HAVE BEEN INSTALLED SHALL BE USED TO GET WATER DOWN TO THE ROOT BALL. DEEP WATER WILL ENCOURAGE THE ROOTS TO GO DEEP INTO THE SOIL AWAY FROM PAVED SURFACES.

CITY OF NAPA

PUBLIC WORKS DEPARTMENT

**STREET TREE PLANTING  
SPECIFICATIONS GENERAL NOTES**

DRAWN BY:	BRL	CHECKED BY:	DMP
DATE:	06/2018	APPROVED BY:	JRL
SCALE:	NONE	DRAWING NO.	T-2
FIELD NOTES:			



NOTES

1. INSTALLATION TO BE COMPLETED IN ACCORDANCE WITH MANUFACTURER'S SPECIFICATIONS.
2. TREE STAKE TO BE LOCATED ON PREVAILING WIND SIDE WHEN TREE IS IN LEAF.
3. INSTALL TREE'S ROOTBALL 2" ABOVE FINISHED GRADE.

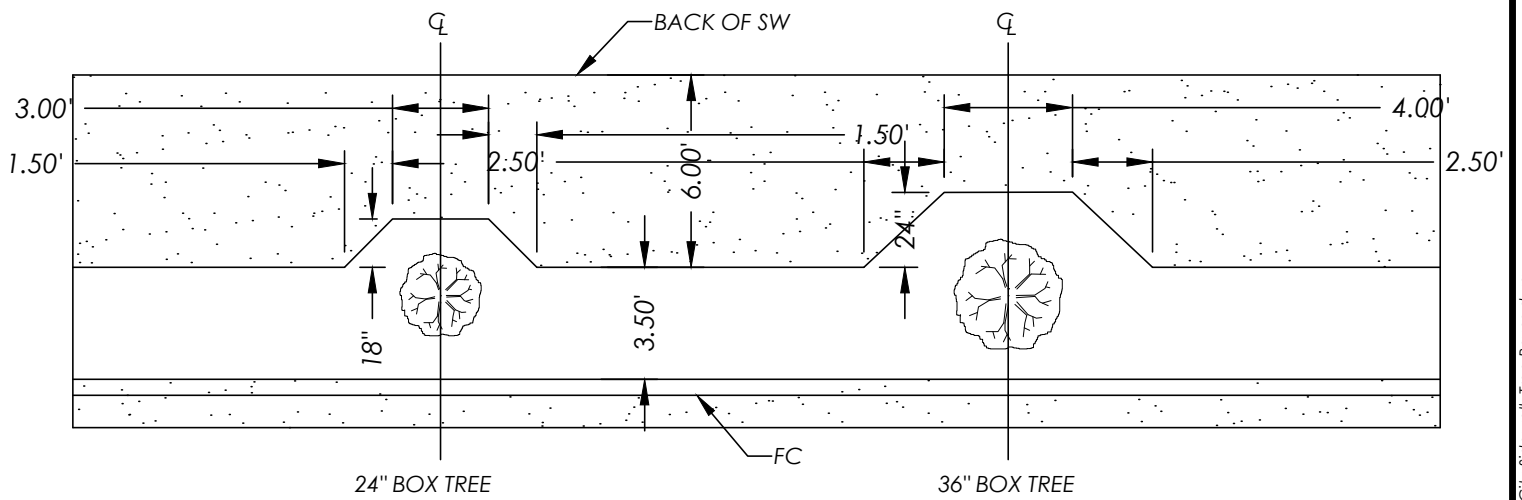
CITY OF NAPA

PUBLIC WORKS DEPARTMENT

STREET TREE PLANTING  
 SPECIFICATIONS FOR 15  
 GAL TREES SINGLE METAL STAKE

DRAWN BY:	BRL
DATE:	06/2018
SCALE:	NONE
FIELD NOTES:	

CHECKED BY:	DMP
APPROVED BY:	JRL
DRAWING NO.	T-3



NOTES

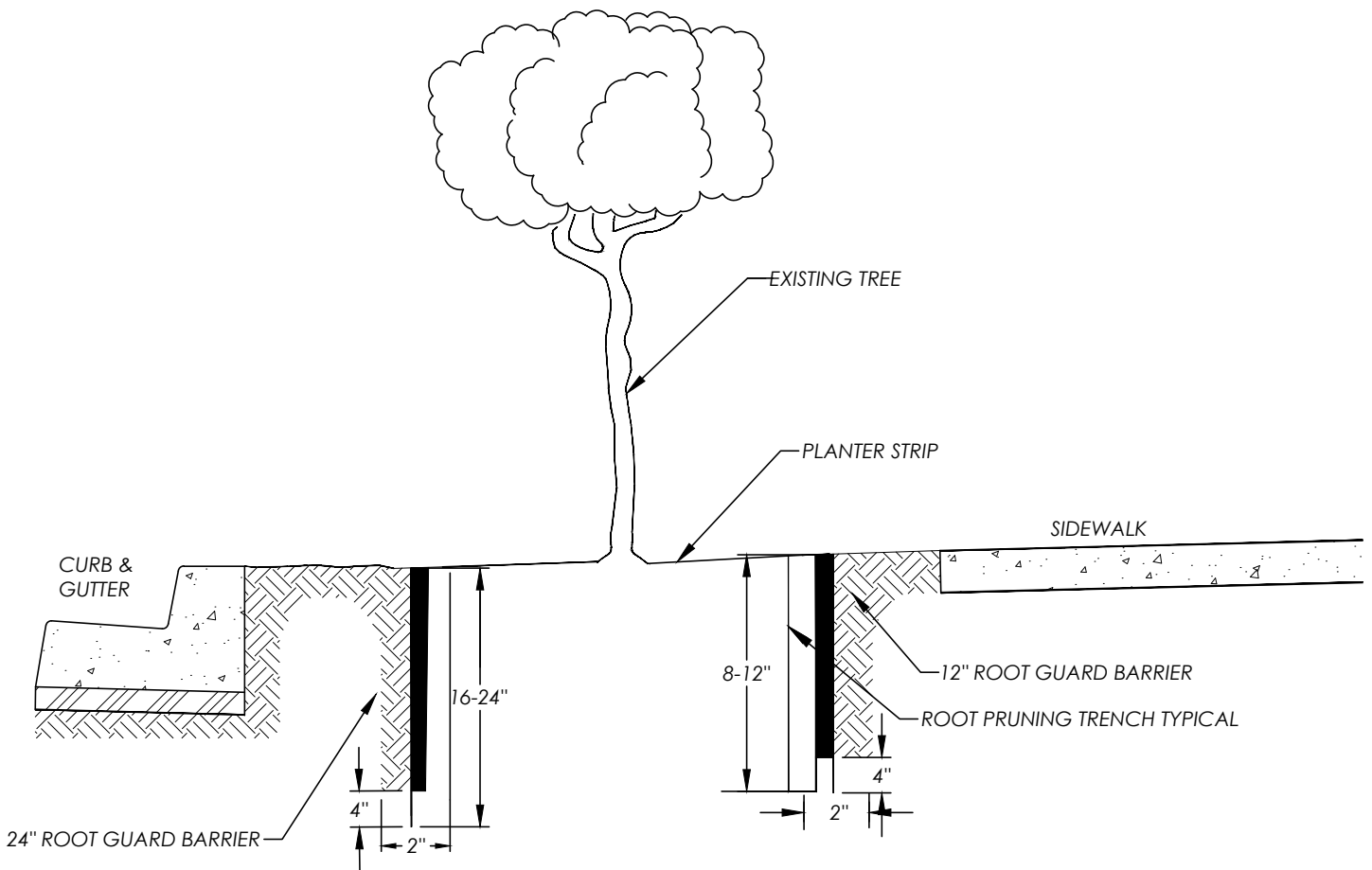
1. DEPTH OF RELIEF MAY VARY TO MAINTAIN 48" MIN SIDEWALK WIDTH PER ADA STANDARD.
2. SIDEWALK AND PLANTER STRIP WIDTHS MAY VARY.
3. ALL SIDEWALK SHALL BE PER CITY STD. S-4.

CITY OF NAPA

PUBLIC WORKS DEPARTMENT

CITY SIDEWALK TREE BOXES

DRAWN BY:	BRL	CHECKED BY:	DMP
DATE:	06/2018	APPROVED BY:	JRL
SCALE:	NONE	DRAWING NO.	T-4
FIELD NOTES:			



**NOTES**

1. TOP OF BARRIER MUST BE AT GRADE, NEVER BELOW.
2. POSITION BARRIER AGAINST STRUCTURE OR AS CLOSE TO STRUCTURE AS POSSIBLE.
3. 24" ROOT GUARD BARRIER TO BE INSTALLED ALONG THE LENGTH OF REPLACED CURB OR TO THE LIMITS OF THE TREE DRIP LINE.
4. 12" ROOT GUARD BARRIER TO BE INSTALLED ALONG THE LENGTH OF REPLACED SIDEWALK OR TO THE LIMITS OF THE TREE DRIP LINE.
5. ROOT GUARD BARRIERS SHALL NOT BE INSTALLED IN AREAS WHERE THERE ARE NO EXISTING TREES. NEW TREES SHALL BE PLANTED IN " DEEP ROOT PLANTER BOXES" PER STANDARD DRAWING T-1.
6. WHEN ROOT PRUNING EXCESSIVELY LARGE ROOT SYSTEMS ALONG SIDEWALKS, THE 8" ROOT GUARD BARRIER SHOULD BE USED IN PLACE OF THE 12" BARRIER.
7. WHEN ROOT PRUNING EXCESSIVELY LARGE ROOT SYSTEMS ALONG THE CURB, THE 16" ROOT GUARD BARRIER SHOULD BE USED IN PLACE OF THE 24" BARRIER.
8. DURING CONSTRUCTION, THE BARRIER CAN BE PLACED AGAINST THE INSIDE OF THE FORM.
9. THE RAISED ROOT DEFLECTORS MUST BE FACING TOWARDS THE TREE.
10. ROOT PRUNING TRENCH SHALL BE BACKFILLED WITH SELECT NATIVE BACKFILL MATERIAL.

CITY OF NAPA

PUBLIC WORKS DEPARTMENT

**STANDARD ROOT GUARD BARRIER SPECIFICATIONS**

DRAWN BY:	BRL	CHECKED BY:	DMP
DATE:	06/2018	APPROVED BY:	JRL
SCALE:	NONE	DRAWING NO.	T-5
FIELD NOTES:			