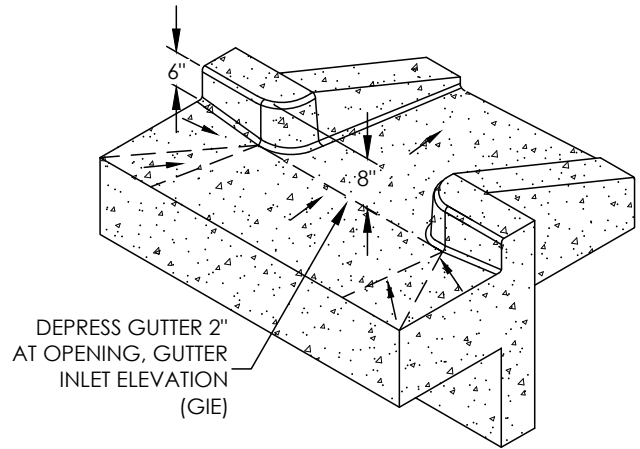
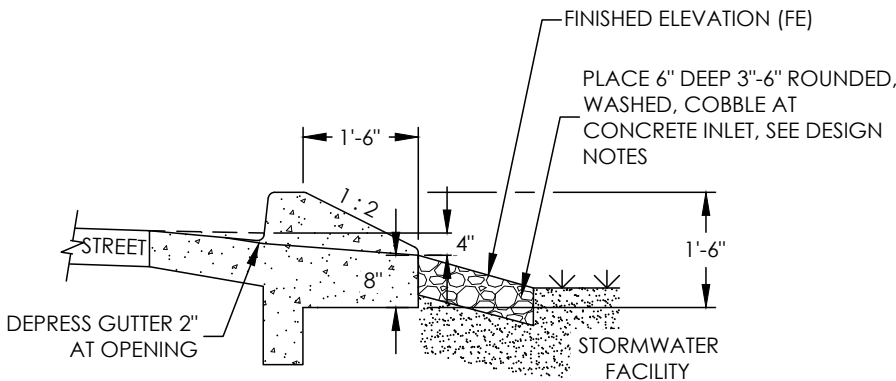


PLAN VIEW



PERSPECTIVE VIEW



SECTION A-A

BIORETENTION DESIGN NOTES

1. FOR USE WITH STORMWATER FACILITIES WITH SIDE SLOPES.
2. PROVIDE SPOT ELEVATIONS ON PLANS (FE, OE, GIE, IE). SEE CITY STD SWQ-100.
3. CURB AND WALL DETAILS MAY BE MODIFIED BY CIVIL AND GEOTECHNICAL ENGINEERS AND APPROVED BY PUBLIC WORKS DEPARTMENT.
4. WHERE INLET FLOW VELOCITY IS HIGH, EXTEND COBBLE INTO FACILITY, BUT AVOID EXCESSIVE USE.
5. CURB HEIGHT MAY BE REDUCED TO 4-INCHES WHERE ADJACENT TO A SIDEWALK. SEE CITY STD. SWQ-110 AND SWQ-111.

CONSTRUCTION NOTES

1. AFTER CONSTRUCTION, PLACE SAND BAGS AT GUTTER OPENINGS TO KEEP STORM FLOWS FROM ENTERING FACILITY UNTIL VEGETATION IS ESTABLISHED.

CITY OF NAPA

PUBLIC WORKS DEPARTMENT

CURB CUT INLET FOR SIDE SLOPES
(RAIN GARDEN OR SWALE)

DRAWN BY: LFM
APPROVAL DATE: 06/2018
SCALE: NONE
REVISED DATE:

CHECKED BY: TCW
APPROVED BY: JBL
DRAWING NO. SWQ-121