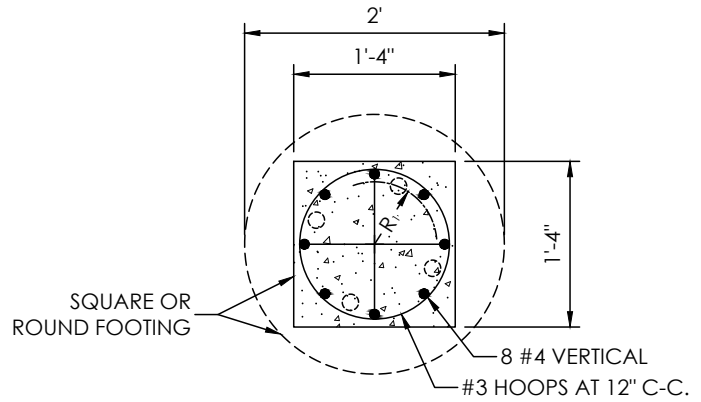


PLAN VIEW - POLE



R<sub>1</sub> = ANCHOR BOLT DIA. DIMENSION R AND BOLT PATTERN TO SUIT POLE BASE FURNISHED.

PLAN VIEW - FOUNDATION

NOTES

1. REFER TO THE CITY OF NAPA DOWNTOWN SPECIFIC PLAN FOR APPROVED LOCATIONS OF THIS STANDARD STREET LIGHT; THIS STANDARD STREET LIGHT TO BE PLACED DOWNTOWN OR AS APPROVED BY THE ENGINEER. ALL OTHER STREET LIGHTS TO BE USED OUTSIDE THE DOWNTOWN SPECIFIC PLAN AREA SHALL CONFORM TO CITY STANDARD DRAWING E-1.
2. FOOTING SHALL BE 24" DIAMETER BY 3' DEEP CONCRETE. TOP OF FOOTING SHALL BE FLUSH WITH SIDEWALK.
3. ACCESS DOOR SECURED TO BASE WITH TAMPER PROOF HEX SOCKET SECURITY MACHINE SCREWS.
4. ACCESS DOOR SHALL BE POSITIONED AWAY FROM STREET.
5. BOLTS SHALL BE 5/8" x 18" x 3" GALVANIZED STREET LIGHT BOLTS WITH 12' BOLT CIRCLE.
6. POLE SHALL ADHERE TO SHAKESPEARE CS - CORAL GABLES 12' FLAT BLACK SPEC ANCHOR PLACE AND TENON. SPECIFICATION NO: ACG20-12AF1103
7. LED SHALL ADHERE TO LIGHT EFFICIENT DESIGN STANDARDS FOR LED-8029
8. GLOBE AND ASSEMBLY SHALL BE ELA COMPANY INC. GLOBE AND ASSEMBLY SHALL BE AN ACORN GLOBE WITH 9" OPENING, MEDIUM BASE PORCELAIN SOCKET WITH 1.5" x 1/8-27#4066, 120V BUTTON PHOTOCELL, CAST BALLAST HOUSING FITTER INCANDESCENT, MEDIUM BASE, ACRYLIC DIFFUSER AND STIPPLED. GLOBE ASSEMBLY TO BE APPROVED BY CITY ELECTRICAL DIVISION.

CITY OF NAPA

PUBLIC WORKS DEPARTMENT

ORNAMENTAL STREET LIGHT  
DOWNTOWN SPECIFIC PLAN

DRAWN BY: BRL  
APPROVAL DATE: 06/2018  
SCALE: NONE  
REVISED DATE: 08/2021

CHECKED BY: SEC  
APPROVED BY: JBL  
DRAWING NO. E-6