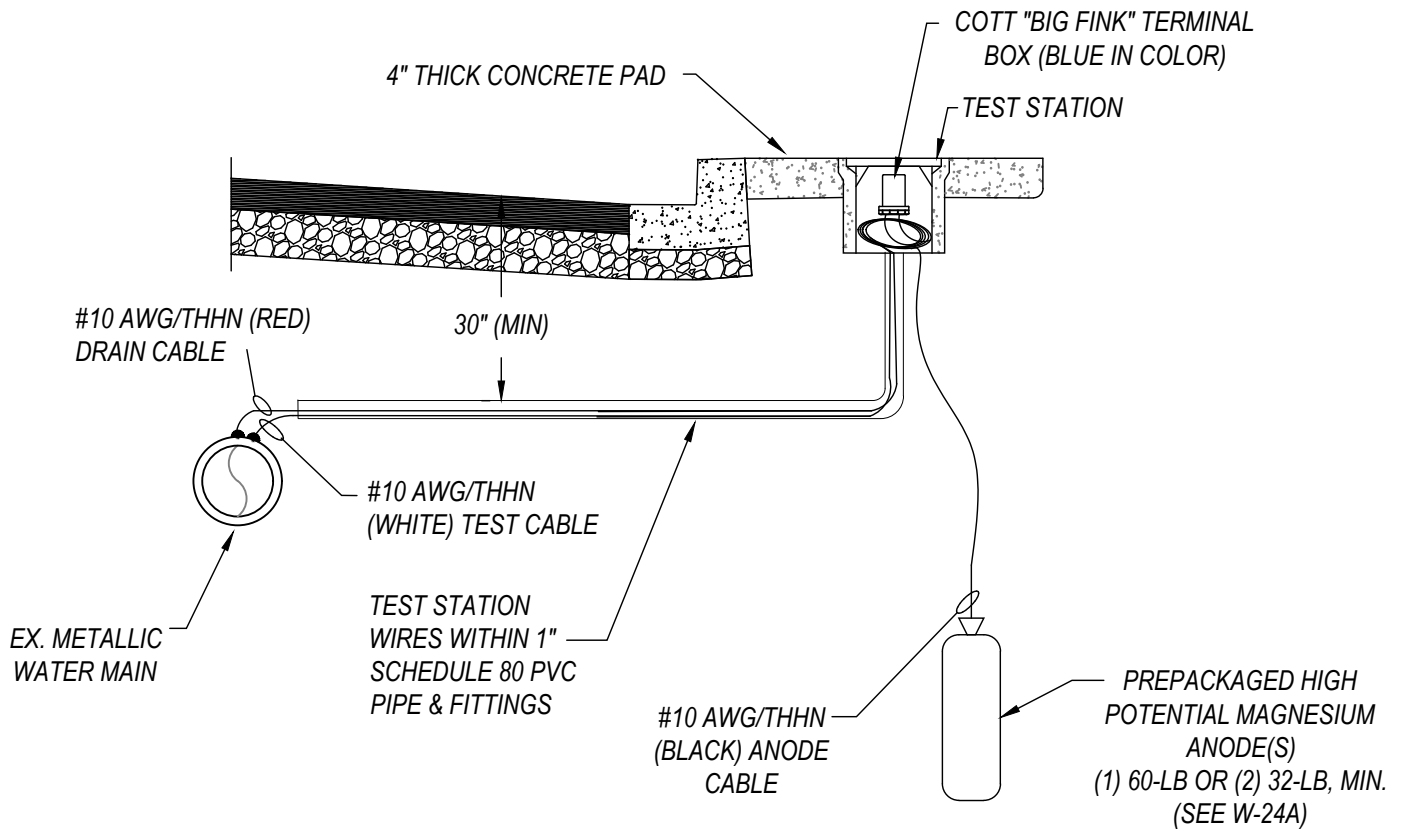


PLAN VIEW



ELEVATION VIEW

NOTES:

1. CONTRACTOR TO PROVIDE COTT "BIG FINK" TEST STATION AND ASSOCIATED FITTINGS AND BRING WIRES INTO NEW RISER BOX. CONTRACTOR TO ENSURE WIRES IN BOX DO NOT SHORT TO EACH OTHER UNTIL AFTER CITY PERSONNEL TEST WIRE CONNECTIVITY.
2. CITY PERSONNEL SHALL TEST WIRE CONNECTIVITY PRIOR TO INSTALLATION OF TERMINAL BOX.

CITY OF NAPA

UTILITIES DEPARTMENT

TITLE
EXISTING SYSTEM - ANODE TEST STATION

DRAWN BY: DF
 APPROVAL DATE: 09/2021
 SCALE: NTS
 REVISED DATE: 09/2021

CHECKED BY: SL
 APPROVED BY: DD
 DRAWING NO. W-26B