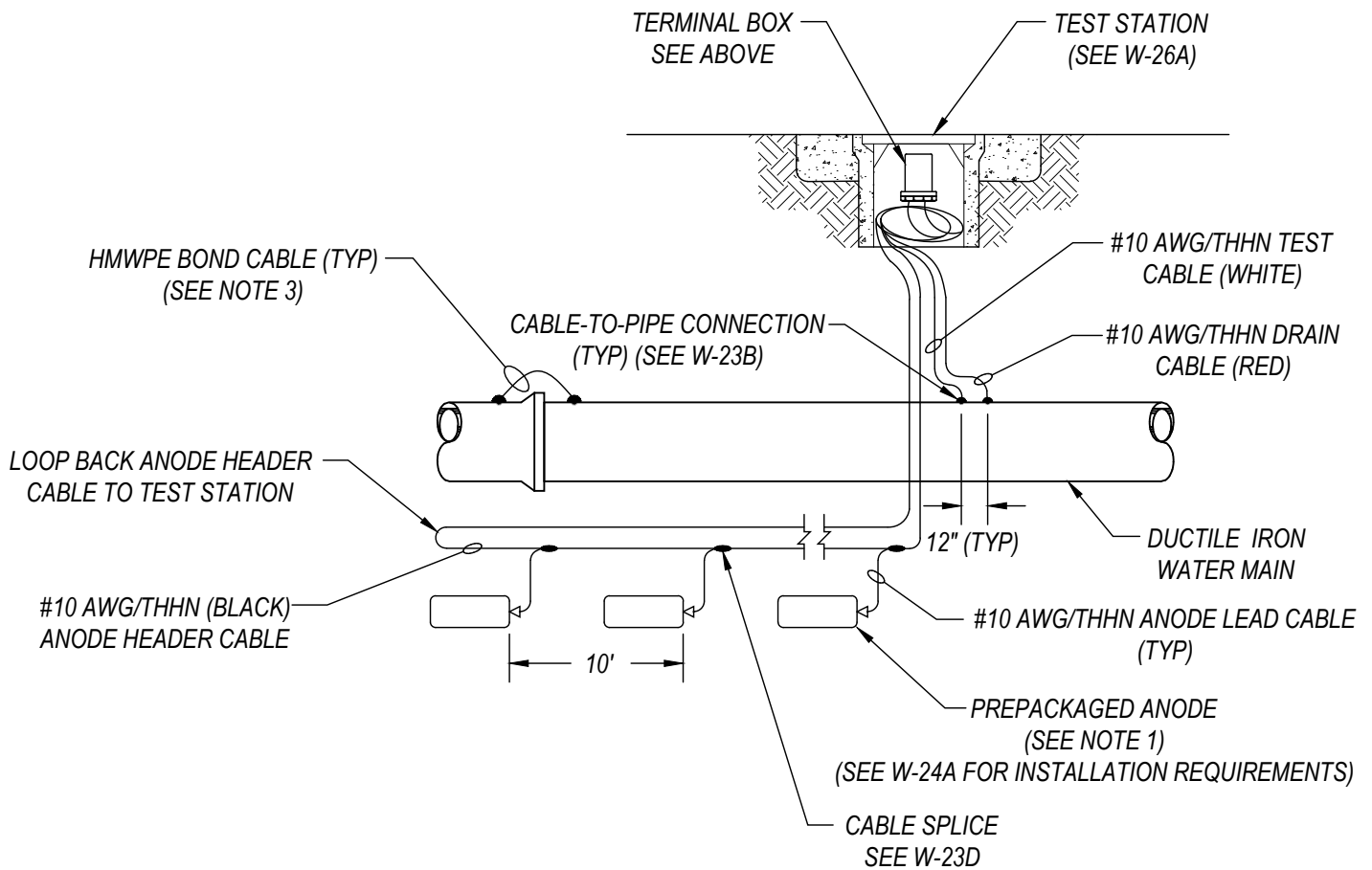


ATS TERMINAL BOX



NOTES:

1. NUMBER AND SIZE OF ANODES SHALL BE DETERMINED BY THE PROJECT CORROSION ENGINEER.
2. THE ANODES SHALL BE INSTALLED A MINIMUM OF 3 FEET OFF THE WALL OF THE WATER PIPE.
3. BOND ALL BURIED, NON-WELDED, PIPE JOINTS PER DRAWING W-23B.
4. IDENTIFY CABLES PER DRAWING W-26C.

CITY OF NAPA

UTILITIES DEPARTMENT

TITLE
**DUCTILE IRON PIPELINE -
 ANODE TEST STATION**

DRAWN BY: DF
 APPROVAL DATE: 09/2021
 SCALE: NTS
 REVISED DATE: 09/2021

CHECKED BY: SL
 APPROVED BY: DD
 DRAWING NO.
 W-28A