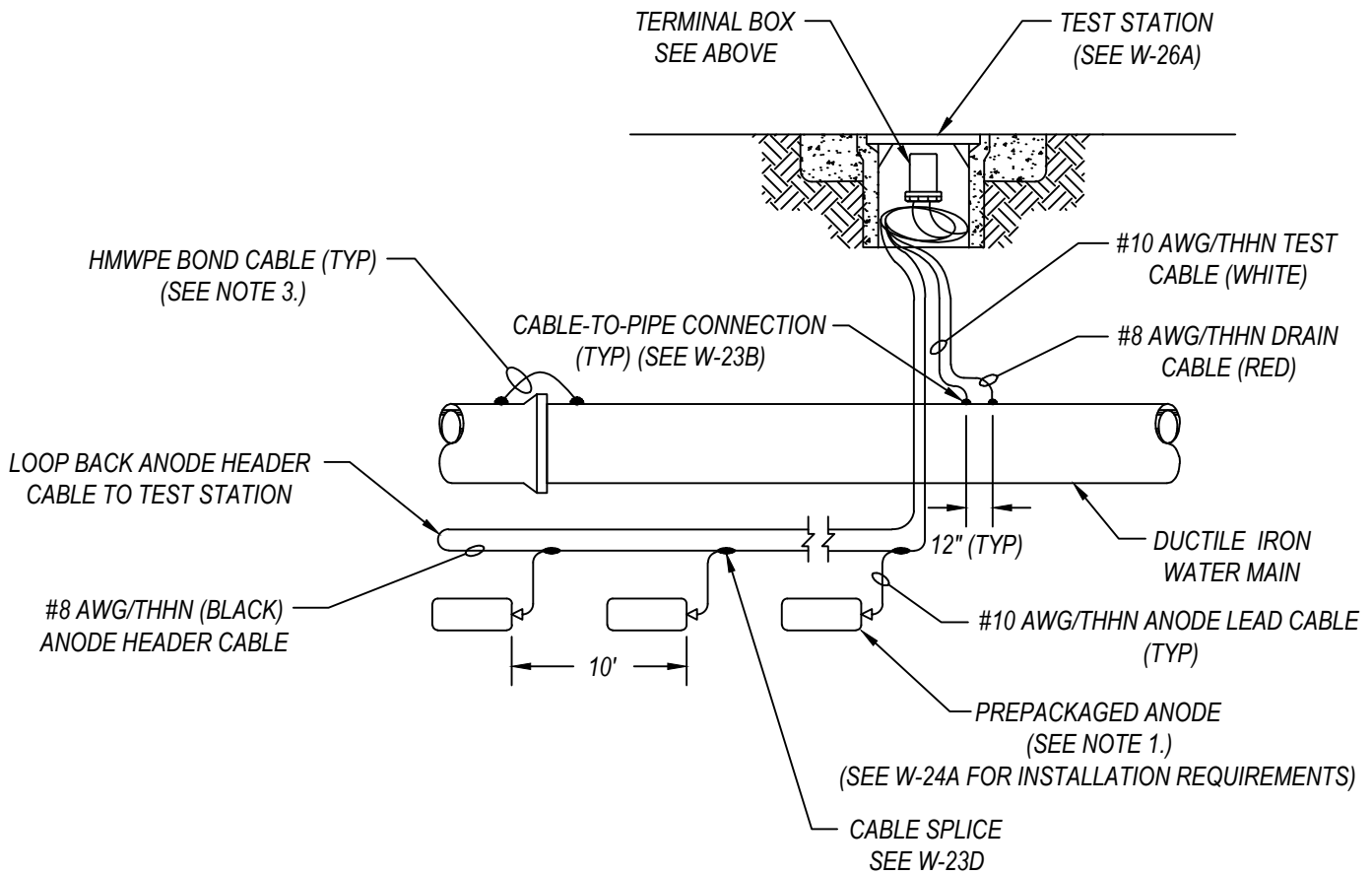


**ATS TERMINAL BOX**



**NOTES:**

1. NUMBER AND SIZE OF ANODES SHALL BE DETERMINED BY THE PROJECT CORROSION ENGINEER.
2. THE ANODES SHALL BE INSTALLED A MINIMUM OF 3 FEET OFF THE WALL OF THE WATER PIPE.
3. BOND ALL BURIED, NON-WELDED, PIPE JOINTS PER DRAWING W-26.
4. IDENTIFY CABLES PER DRAWING W-26C.

CITY OF NAPA

PUBLIC WORKS DEPARTMENT

TITLE  
**DUCTILE IRON PIPELINE - ANODE TEST  
 STATION**

DRAWN BY: DCF

CHECKED BY: MJH

DATE: 07/2017

APPROVED BY: MJH

SCALE: NTS

DRAWING NO.

FIELD NOTES:

W-28A