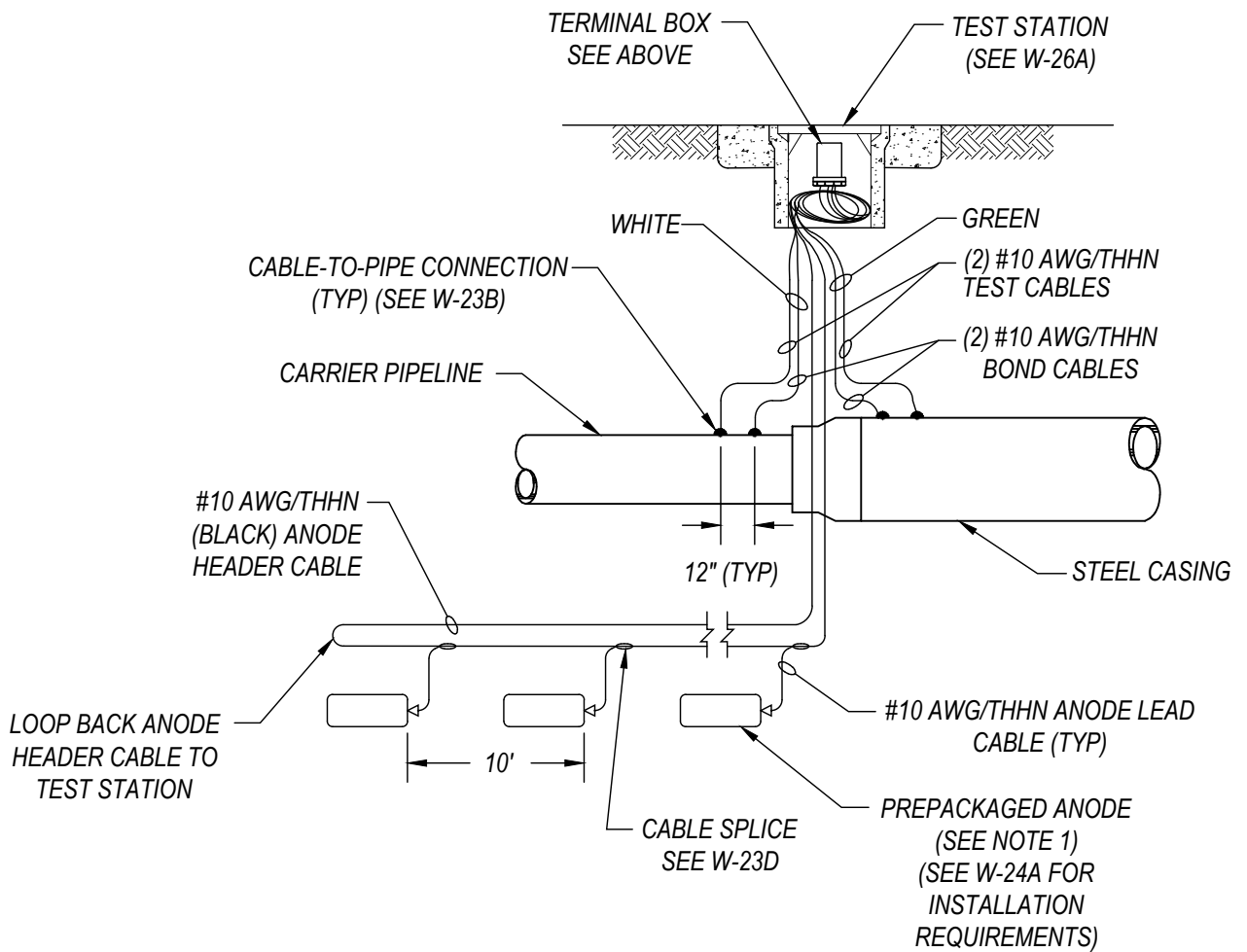


CATS TERMINAL BOX



NOTES:

1. NUMBER AND SIZE OF ANODES SHALL BE DETERMINED BY THE PROJECT ENGINEER.
2. CARRIER PIPE & CASING ARE TO BE ELECTRICALLY ISOLATED VIA CASING INSULATORS.
3. IF CARRIER PIPE IS NON-METALLIC DELETE WHITE CABLES AND EXOTHERMIC WELDS.
3. IDENTIFY CABLES PER DRAWING W-26C.

CITY OF NAPA

UTILITIES DEPARTMENT

TITLE
CASING ANODE TEST STATION

DRAWN BY: DF
 APPROVAL DATE: 09/2021
 SCALE: NTS
 REVISED DATE: 09/2021

CHECKED BY: SL
 APPROVED BY: DD
 DRAWING NO. W-28E