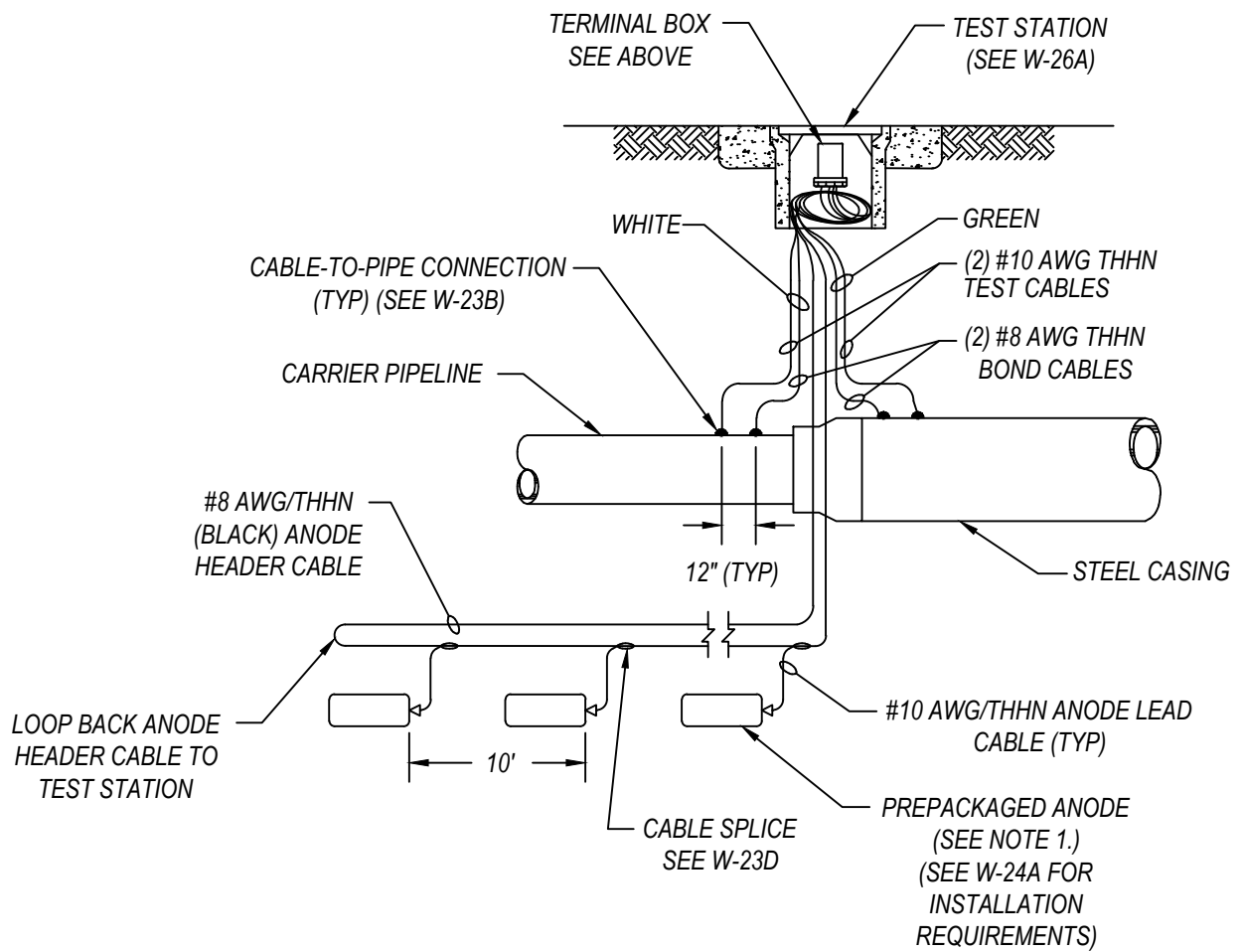


**CATS TERMINAL BOX**



**NOTES:**

1. NUMBER AND SIZE OF ANODES SHALL BE DETERMINED BY THE PROJECT CORROSION ENGINEER.
2. CARRIER PIPE & CASING ARE TO BE ELECTRICALLY ISOLATED VIA CASING INSULATORS.
3. IF CARRIER PIPE IS NON-METALLIC DELETE WHITE CABLES AND EXOTHERMIC WELDS.
3. IDENTIFY CABLES PER DRAWING W-26C.

CITY OF NAPA

PUBLIC WORKS DEPARTMENT

TITLE  
CATS - CASING ANODE TEST STATION

DRAWN BY: DCF  
DATE: 07/2017  
SCALE: NTS  
FIELD NOTES:

CHECKED BY: MJH  
APPROVED BY: MJH  
DRAWING NO. W-28E