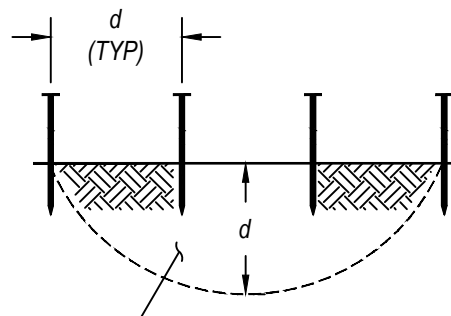
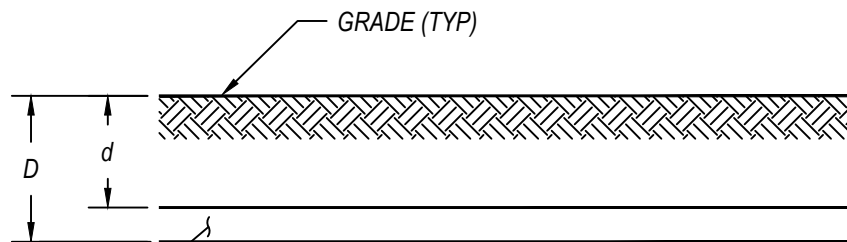


VOLUME OF SOIL WITH RESISTANCE 'R' AND RESISTIVITY RHO



VOLUME OF SOIL WITH RESISTANCE 'r' AND RESISTIVITY RHO



LAYER OF SOIL WITH RESISTIVITY = $\left(\frac{1}{\frac{1}{R} - \frac{1}{r}} \right) \times (\text{SPACING FACTOR})$

CITY OF NAPA

PUBLIC WORKS DEPARTMENT

TITLE
BARNES LAYER RESISTIVITY

DRAWN BY: DCF

CHECKED BY: MJH

DATE: 07/2017

APPROVED BY: MJH

SCALE: NTS

DRAWING NO.

FIELD NOTES:

W-29B