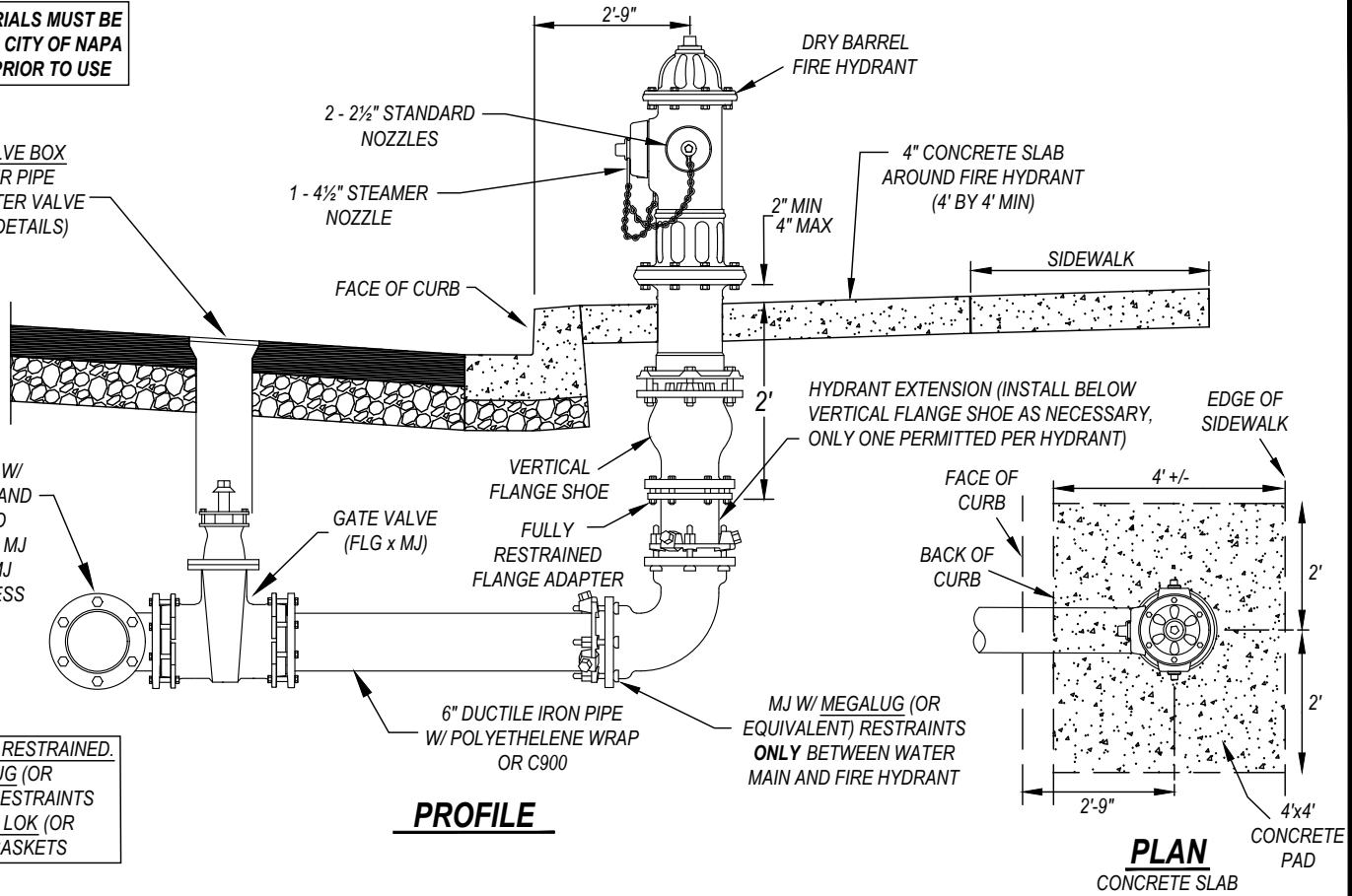


ALTERNATE MATERIALS MUST BE APPROVED BY THE CITY OF NAPA WATER DIVISION PRIOR TO USE

CHRISTY G5 VALVE BOX
W/ 8" PVC RISER PIPE
(SEE W-9 FOR WATER VALVE
INSTALLATION DETAILS)

MJ HYDRANT TEE W/
ROTATABLE MJ GLAND
ON 6" PLAIN END
BRANCH OR FLG x MJ
TEE AND FLG x MJ
VALVE W/ STAINLESS
STEEL BOLTS

ALL JOINTS TO BE RESTRAINED.
FITTINGS: MEGALUG (OR
EQUIVALENT) RESTRAINTS
PIPE BELLS: FIELD LOK (OR
EQUIVALENT) GASKETS



PROFILE

PLAN
CONCRETE SLAB

NOTES

1. **APPROVED HYDRANTS:** MUELLER "SUPER CENTURION", AND AMERICAN-DARLING "B-62-B". **NO SUBSTITUTES WILL BE ACCEPTED.**
2. HYDRANTS SHALL CONFORM TO AWWA STANDARD C 502-85. HYDRANTS SHALL HAVE ONE 4-1/2" OUTLET AND TWO 2-1/2" OUTLETS WITH CHAINED CAPS. MAIN VALVE SIZE SHALL BE 5-1/4". HYDRANTS INSTALLED ON WATER MAINS LARGER THAN 12" DIAMETER REQUIRE WATER DIVISION APPROVAL.
3. **OPERATION:** AWWA STANDARD PENTAGON NUT, OPEN LEFT WITH A MAXIMUM 60 FT-LB OPERATING TORQUE.
4. **BURY DEPTH:** 24" ONLY.
5. PUBLIC FIRE HYDRANTS SHALL BE POWDER COATED SILVER COLOR FINISH. FIRE HYDRANTS ON A PRIVATE FIRE SYSTEM SHALL BE PAINTED WITH A PRIME COAT PLUS "OSHA YELLOW" COLOR FINISH.
6. WHERE SIDEWALK IS ADJACENT TO CURB, EXTEND SIDEWALK AND RIGHT-OF-WAY TO PROVIDE A MINIMUM 4 FEET CLEARANCE BEHIND FIRE HYDRANT PER ADA REQUIREMENTS.
7. A 6" VERTICAL CURB IS REQUIRED FOR A MINIMUM OF 10' ON EACH SIDE OF HYDRANT.
8. INSTALL 8 MIL POLYETHYLENE WRAP ON LATERAL, JOINTS, AND VERTICAL RISE.
9. VERTICAL OFFSETS BETWEEN MAIN AND HYDRANT SHALL BE ACHIEVED WITH 45° BENDS W/ RESTRAINED JOINTS.
10. INSTALL PAVEMENT MARKER(S) IN PUBLIC STREET FOR ALL NEW AND RELOCATED FIRE HYDRANTS (SEE W-21).
11. FIRE HYDRANTS THAT ARE NOT IN SERVICE SHALL BE COMPLETELY COVERED.
12. PUBLIC FIRE HYDRANTS THAT ARE IN SERVICE SHALL BE OPERATED BY WATER DIVISION OR FIRE DEPARTMENT STAFF ONLY.
13. WATER USE THROUGH ANY FIRE HYDRANT SHALL BE LIMITED TO WATER SYSTEM MAINTENANCE AND FIRE PREVENTION USES ONLY. FIRE HYDRANTS MAY BE USED FOR CONSTRUCTION WATER PURPOSES WITH THE USE OF A HYDRANT METER OBTAINED FROM THE CITY **AND** IF THE LOCATION IS APPROVED BY THE CITY OF NAPA WATER DIVISION.
14. NO TREES SHALL BE PLANTED WITHIN 10', OR LARGE SHRUBS WITHIN 5', OF FIRE HYDRANTS.

CITY OF NAPA

UTILITIES DEPARTMENT

TITLE	FIRE HYDRANT
DRAWN BY: DF	
APPROVAL DATE: 09/2021	
REvised DATE: 09/2021	

CHECKED BY: SL
APPROVED BY: DD
DRAWING NO. W-8