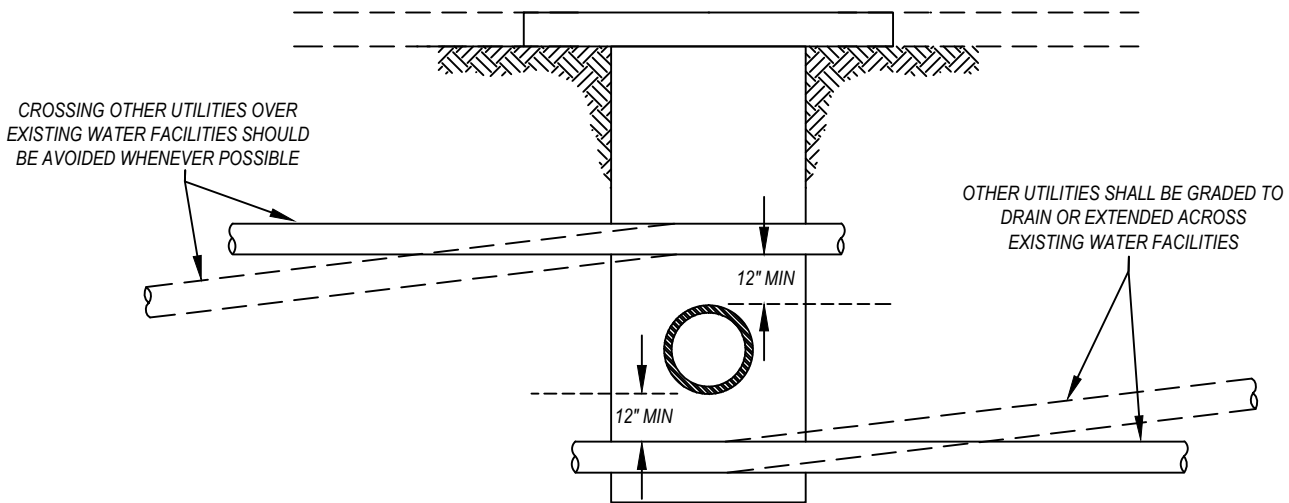
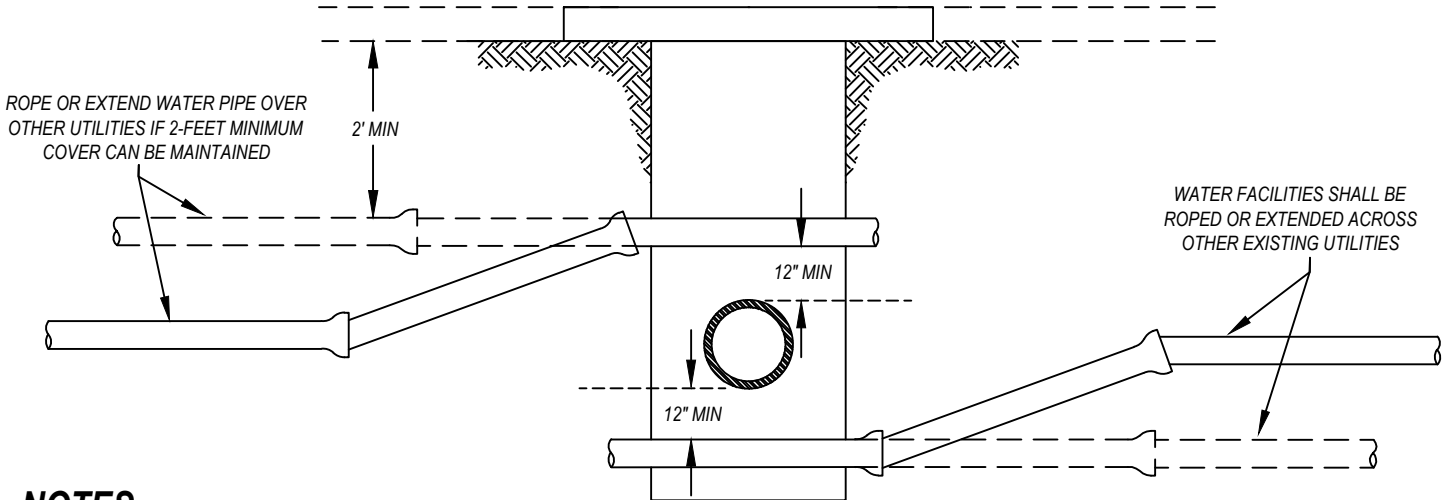


NEW UTILITIES AROUND EXISTING WATER FACILITIES



NEW WATER FACILITIES AROUND EXISTING UTILITIES



NOTES

1. WATER-SEWER (WATER-RECLAIMED WATER) SEPARATION SHALL BE PER THE REQUIREMENTS OF THE CALIFORNIA DEPARTMENT OF HEALTH SERVICES. WATER FACILITIES SHALL CROSS **OVER** SEWER FACILITIES WHENEVER POSSIBLE, OTHERWISE ADDITIONAL INSTALLATION REQUIREMENTS MAY BE REQUIRED.
2. IF EXISTING UTILITIES ARE REPLACED, THE NEW FACILITIES SHALL MEET THE CURRENT MINIMUM SEPARATION REQUIREMENTS.
3. IF THERE ARE DIFFERENT SEPARATION REQUIREMENTS BASED ON OTHER UTILITY, LOCAL, STATE, OR FEDERAL REGULATIONS OR REQUIREMENTS, THE STRICTER SEPARATION REQUIREMENTS SHALL PREVAIL.
4. WHEN UTILITIES CROSS OVER EXISTING WATER FACILITIES, BACKFILL OVER EXISTING WATER FACILITIES SHALL MEET THE WATER TRENCH DETAIL SPECIFICATIONS (SEE W-13A).
5. WHEN A MINIMUM 2-FOOT COVER (WITH 1- FOOT VERTICAL SEPARATION) CAN BE MAINTAINED OVER WATER FACILITIES, NEW WATER FACILITIES SHALL BE ROPED OVER OTHER UTILITIES.
6. VERTICAL SEPARATION REQUIREMENTS BETWEEN NEW AND EXISTING WATER FACILITIES (BOTH 8" OR LESS IN DIAMETER), CAN BE REDUCED TO A MINIMUM 6" OF SEPARATION.
7. FOR HORIZONTAL SEPARATION REQUIREMENTS, SEE W-22A.

CITY OF NAPA

PUBLIC WORKS DEPARTMENT

TITLE
**VERTICAL SEPARATION REQUIREMENTS
 BETWEEN PUBLIC WATER FACILITIES
 AND OTHER UTILITIES**

DRAWN BY: DCF
 DATE: 07/2017
 SCALE: NTS
 FIELD NOTES:

CHECKED BY: MJH
 APPROVED BY: MJH
 DRAWING NO.
 W-22B