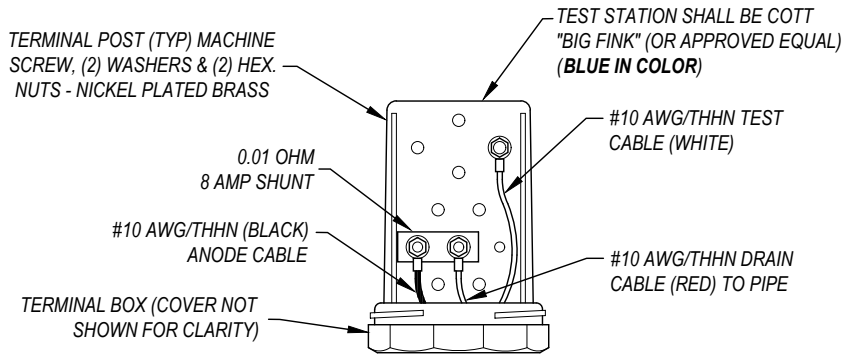


**TEST STATION DETAIL**  
NOT TO SCALE



**ATS TERMINAL BOX**  
NOT TO SCALE

**NOTES**

1. CONTRACTOR TO PROVIDE TERMINAL BOX (WITH SHUNT) FOR THE WATER DIVISION CORROSION SPECIALIST TO INSTALL AT TEST STATION LOCATIONS.
2. ALL TEST STATIONS SHALL BE INSTALLED BEHIND THE BACK OF CURB, OUTSIDE OF ALL DRIVEWAYS AND DRIVEWAY APPROACHES, UNLESS OTHERWISE PERMITTED BY THE WATER DIVISION CORROSION SPECIALIST.
3. IF INSTALLED IN TRAVEL WAY CONCRETE COLLAR SHALL BE MINIMUM 12" AROUND CHRISTY G5 BOX. IF INSTALLED BEHIND BACK OF CURB CONCRETE COLLAR SHALL BE MINIMUM 12".

CITY OF NAPA

UTILITIES DEPARTMENT

TITLE  
**TEST STATION AND TERMINAL BOX**

DRAWN BY:	DF
APPROVAL DATE:	09/2021
SCALE:	NTS
REVISED DATE:	09/2021

CHECKED BY:	SL
APPROVED BY:	DD
DRAWING NO.	W-26A