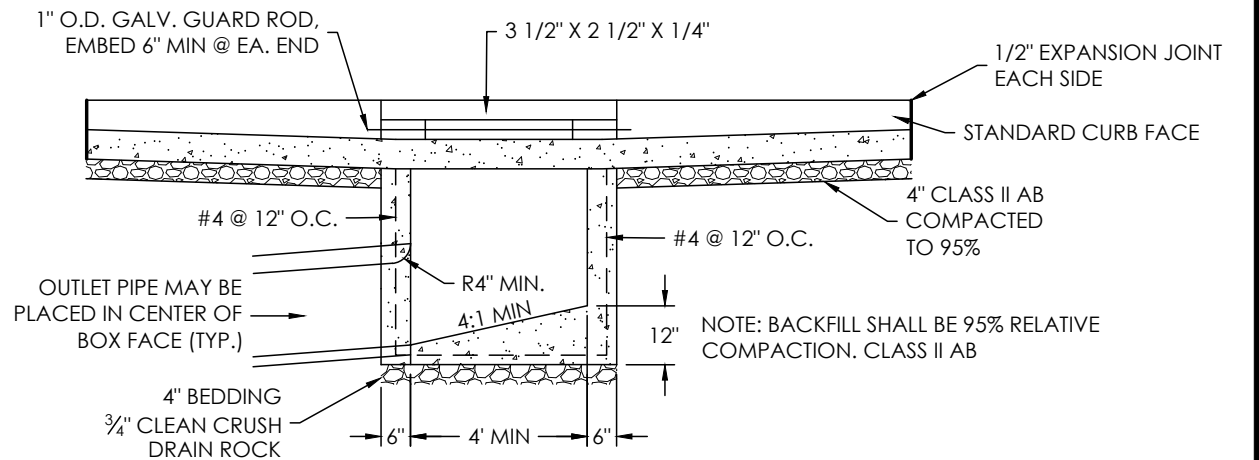
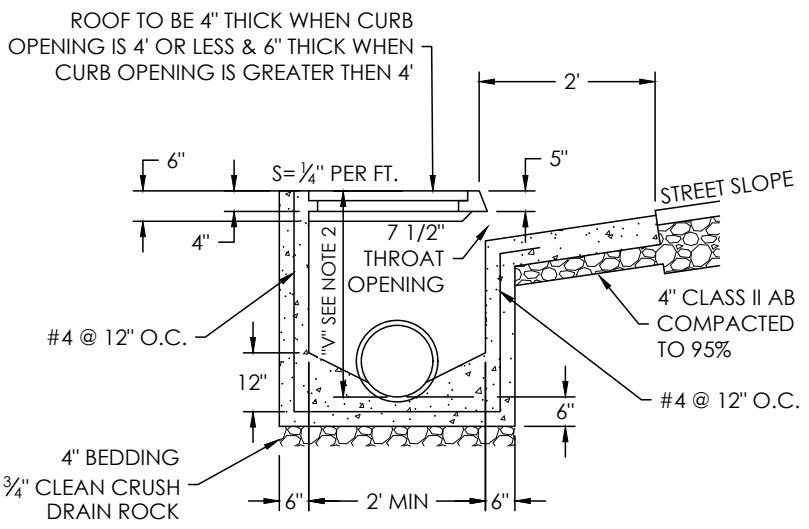


PLAN



SECTION B-B



SECTION A-A

NOTES

1. THIS STD. SHALL BE USED WHERE EXISTING GUTTER PAN IS 1'. ALL CATCH BASINS INSTALLED WITH 2' GUTTER PAN SHALL BE PER CITY STD. D-2.
2. "V" = 3'-6" MINIMUM. FOR "V" GREATER THEN 5' INCREASE THICKNESS OF SIDEWALL BY 1" FOR EACH FOOT OF DEPTH OVER 5'.
3. ALL CONCRETE SHALL BE CLASS 'A' (6 SK./CU.YD).
4. PRECAST BOXES AND GRADE RINGS MAY BE USED WHEN APPROVED BY THE CITY ENGINEER.
5. ALL MATERIALS EXCEPT REINFORCING STEEL SHALL BE SHOP GALVANIZED AFTER FABRICATION.
6. PRECAST GALLERIES OR EXTENSIONS WHEN USED SHALL BE INSTALLED PER MANUFACTURER'S INSTRUCTIONS.
7. OPTIONAL BASE MAY BE USED WITH 6-2 CATCH BASIN WHEN STORM DRAIN IS 36" DIA. OR LARGER.
8. SEE D-4 FOR SPECIAL APRONS.
9. NO MORE THAN 2" OF GROUT IS ALLOWED BETWEEN POURED WALLS AND PRECAST TOPS.
10. CATCH BASIN SHALL BE CONSTRUCTED TO WITHSTAND H2O LOADING.

CITY OF NAPA PUBLIC WORKS DEPARTMENT

TYPE D-2 CATCH BASIN WITH GUTTER TRANSITION

DRAWN BY:	LFM	CHECKED BY:	IHH
APPROVAL DATE:	06/2018	APPROVED BY:	JBL
SCALE:	NONE	DRAWING NO.	D-2A
REVISED DATE:	08/2021		