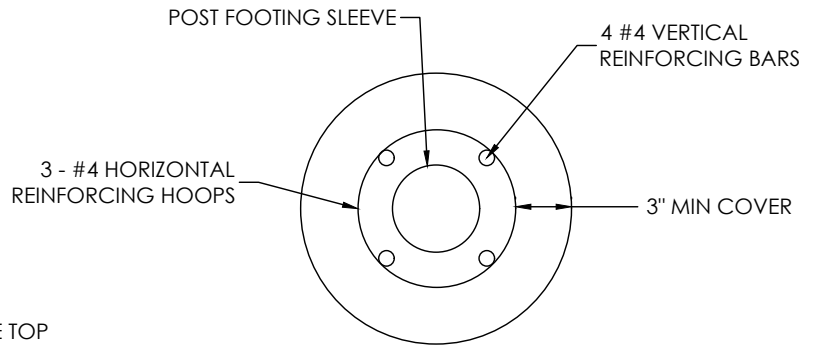
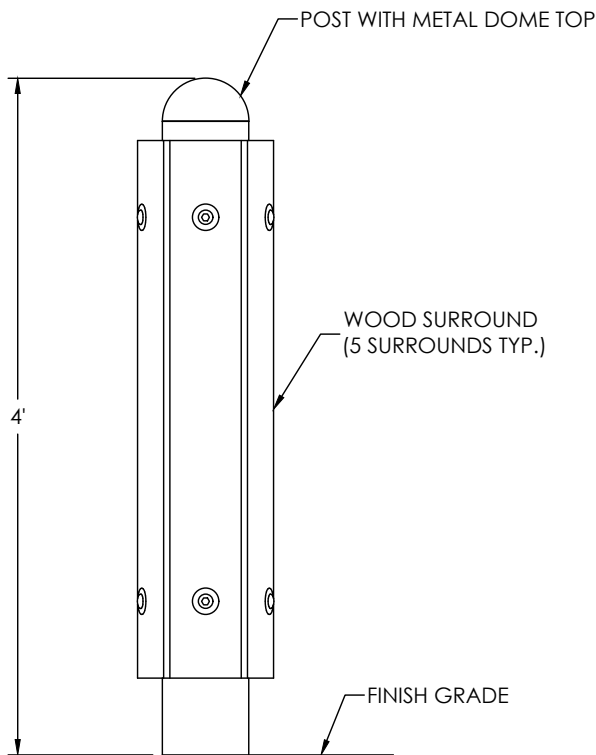


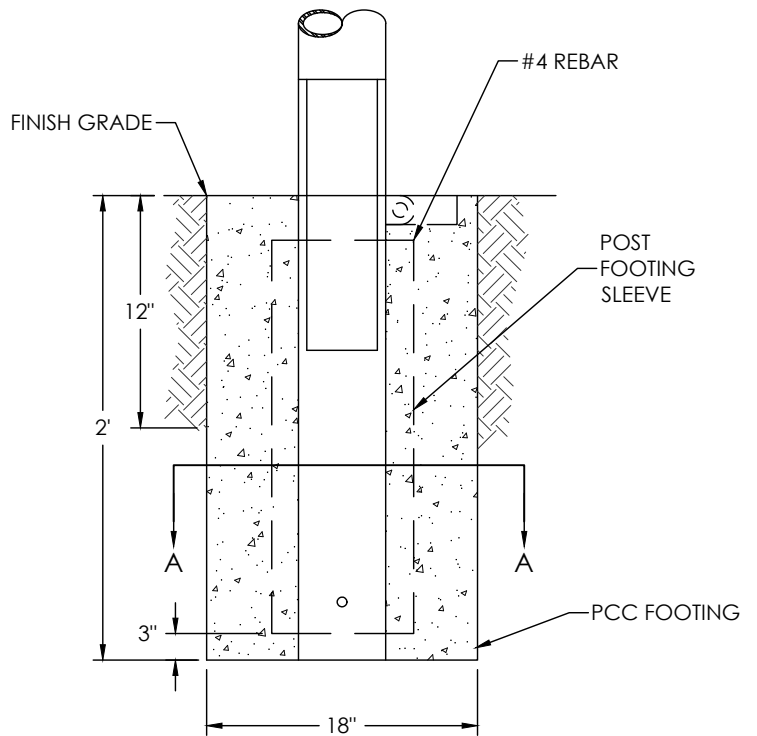
TOP VIEW



SECTION A-A



FRONT VIEW



REMOVEABLE MOUNTING

NOTES

1. USE TIMBERFORM MODEL NO. 2191-R METAL
2. CONCRETE FOOTING AND NO.1 REBAR REQUIRED

CITY OF NAPA

PARKS & RECREATION SERVICES DEPARTMENT

METAL (BLACK) BOLLARD
WITH WOOD SURROUND

DRAWN BY:	BRL
APPROVAL DATE:	06/2018
SCALE:	NONE
REVISED DATE:	

CHECKED BY:	DMP
APPROVED BY:	JRL
DRAWING NO.	PL-13