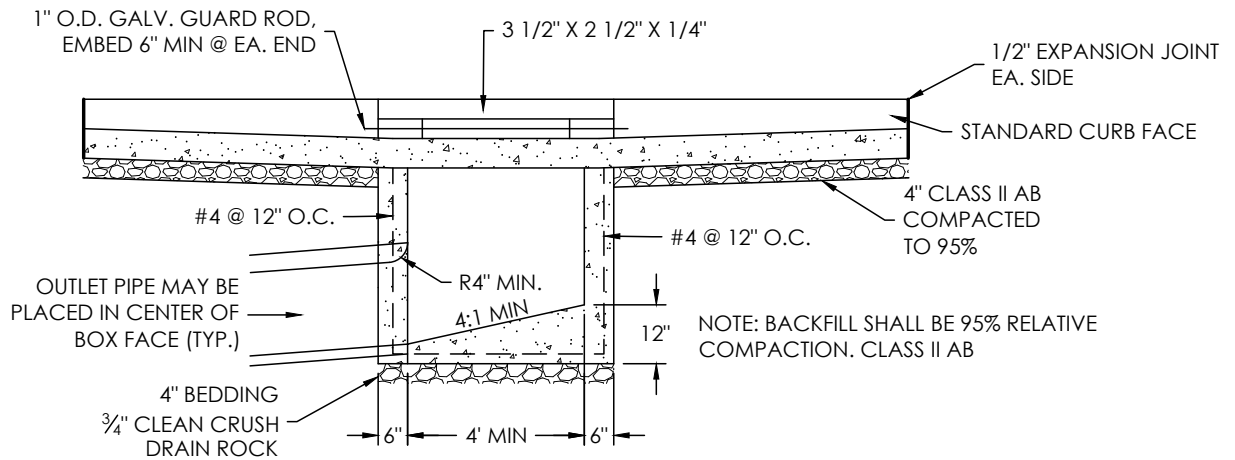
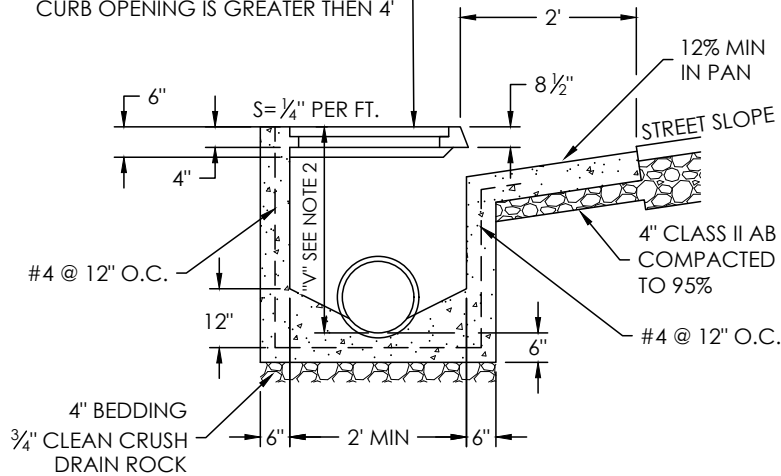


PLAN



SECTION B-B

ROOF TO BE 4" THICK WHEN CURB OPENING IS 4' OR LESS & 6" THICK WHEN CURB OPENING IS GREATER THEN 4'



SECTION A-A

NOTES

- "V"=3'-6" MINIMUM. FOR "V" GREATER THAN 5' INCREASE THICKNESS OF SIDEWALL 1" FOR EACH FOOT OF DEPTH OVER 5'.
- ALL CONCRETE SHALL BE 4000 PSI (6 SACK/CY).
- PRECAST BOXES AND GRADE RINGS MAY BE USED WHEN APPROVED BY THE ENGINEER.
- ALL MATERIALS EXCEPT REINFORCING STEEL SHALL BE SHOP GALVANIZED AFTER FABRICATION.
- PRECAST GALLERIES OR EXTENSIONS WHEN USED SHALL BE INSTALLED PER MANUFACTURER'S INSTRUCTIONS.
- OPTIONAL BASE MAY BE USED WITH D-2 CATCH BASIN WHEN STORM DRAIN IS 36" DIA. OR LARGER.
- NO MORE THAN 2" OF GROUT IS ALLOWED BETWEEN POURED WALLS AND PRECAST TOPS.
- CATCH BASIN SHALL BE CONSTRUCTED TO WITHSTAND H2O LOADING.

CITY OF NAPA

PUBLIC WORKS DEPARTMENT

TYPE D-2  
CATCH BASIN

DRAWN BY: LFM  
APPROVAL DATE: 06/2018  
SCALE: NONE  
REVISED DATE:

CHECKED BY: IHH  
APPROVED BY: JBL  
DRAWING NO. D-2