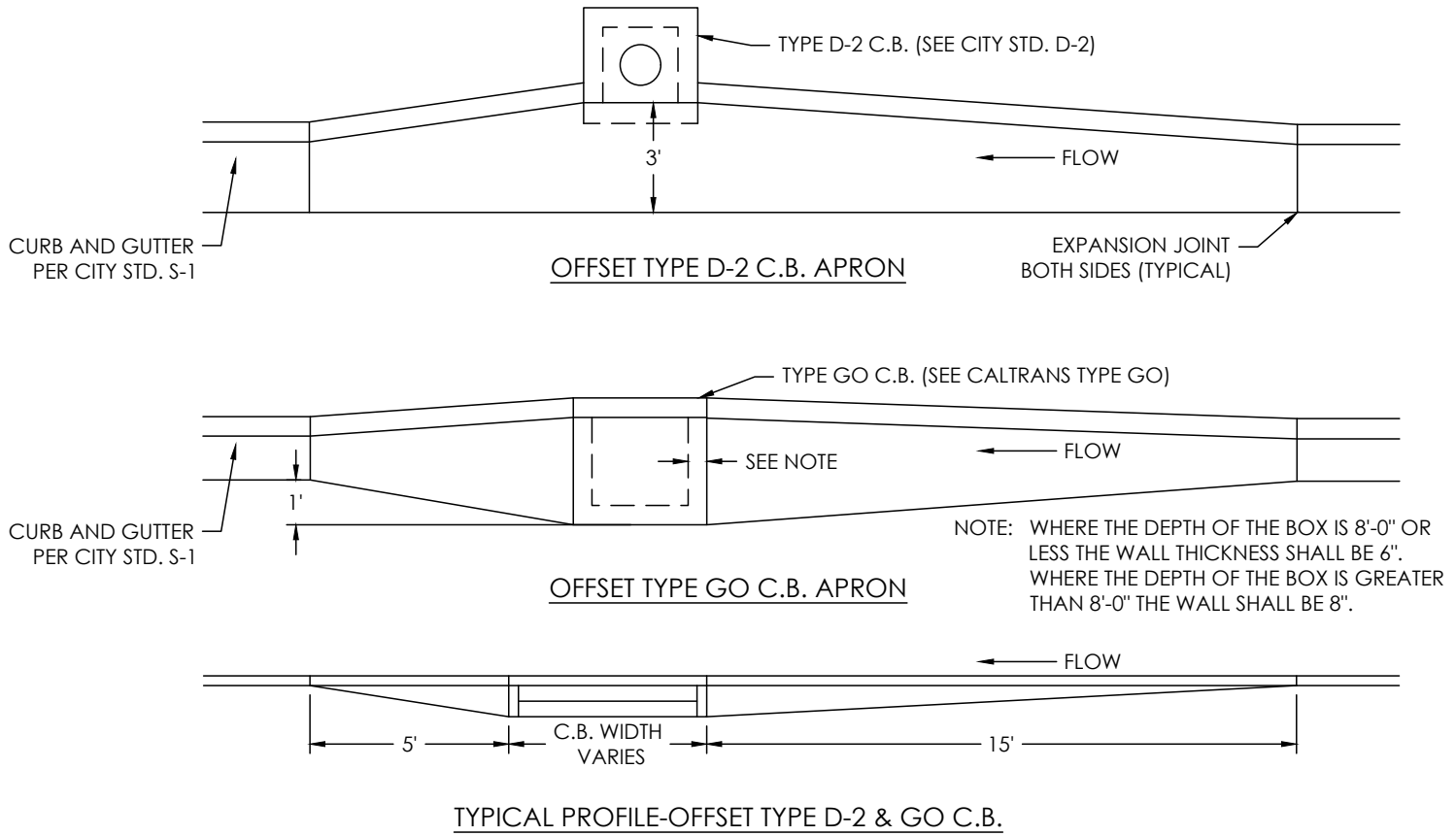
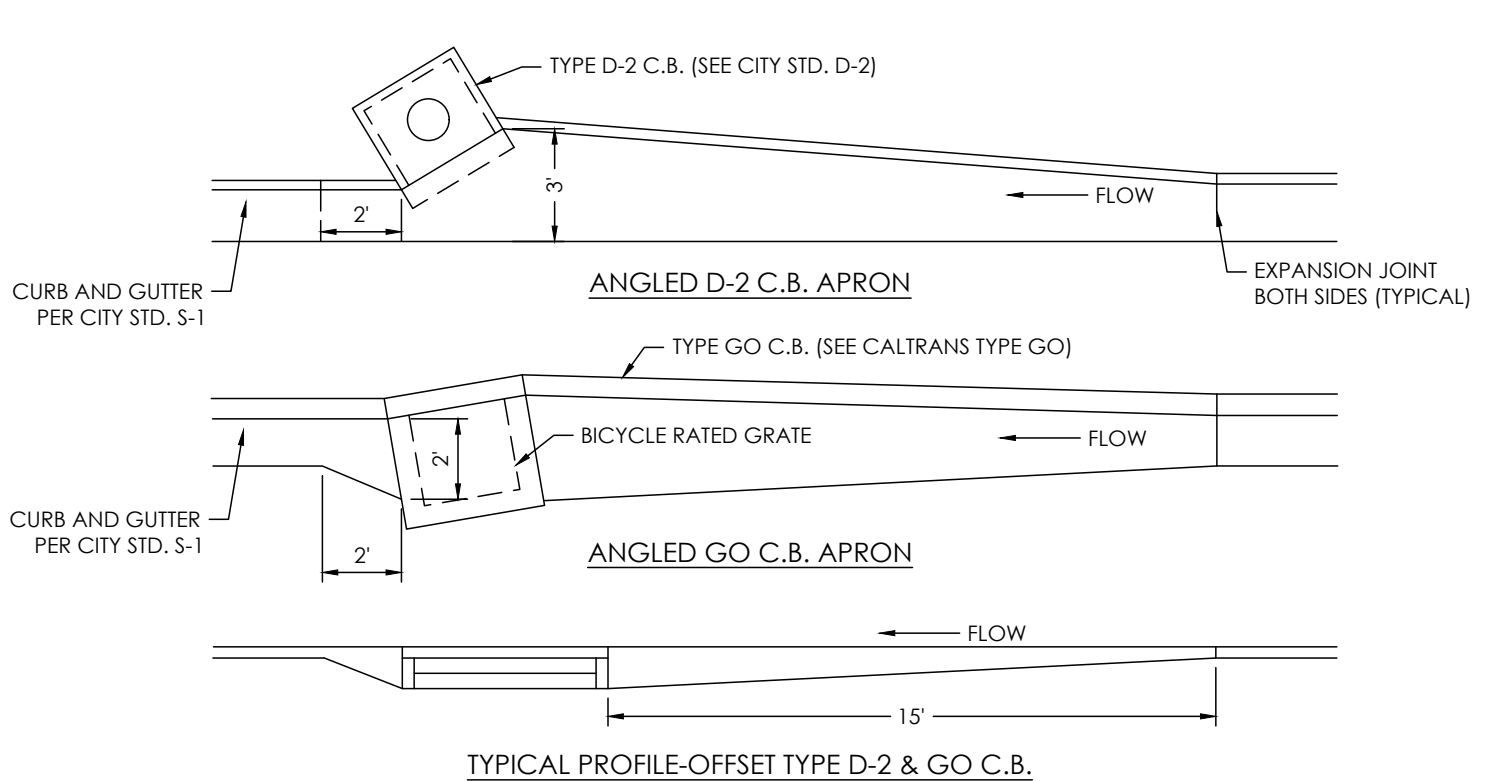


**STREET SLOPES LESS THAN 2 1/2%**



**STREET SLOPES 2 1/2% OR MORE**



CITY OF NAPA

PUBLIC WORKS DEPARTMENT

**SPECIAL APRONS FOR TYPE D-2 & GO CATCH BASINS**

DRAWN BY:	LFM	CHECKED BY:	IHH
APPROVAL DATE:	06/2018	APPROVED BY:	JBL
SCALE:	NONE	DRAWING NO.	D-4A
REVISED DATE:			