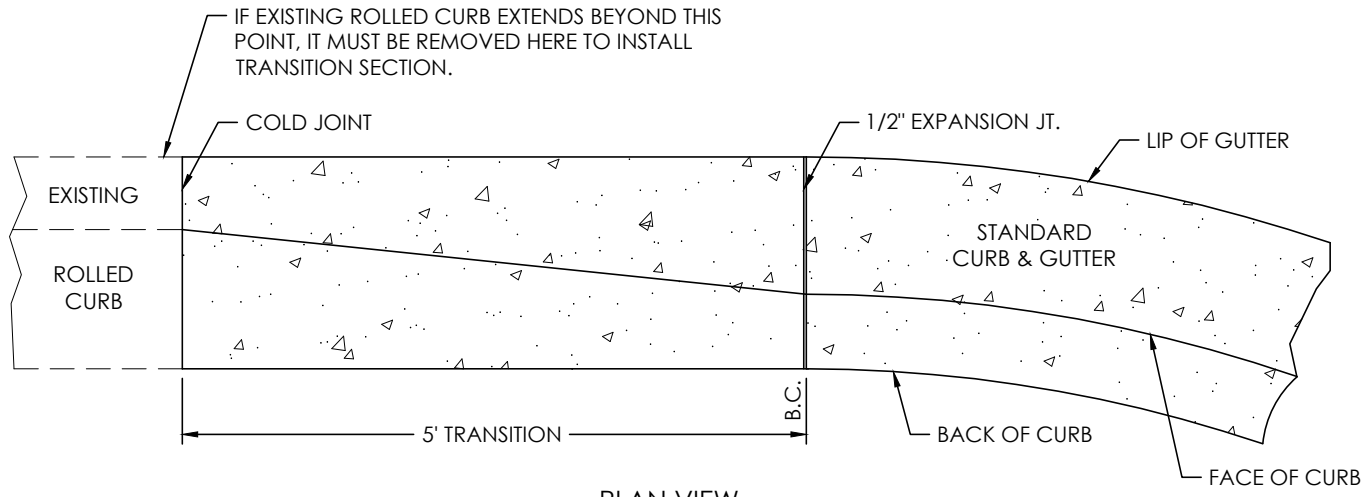
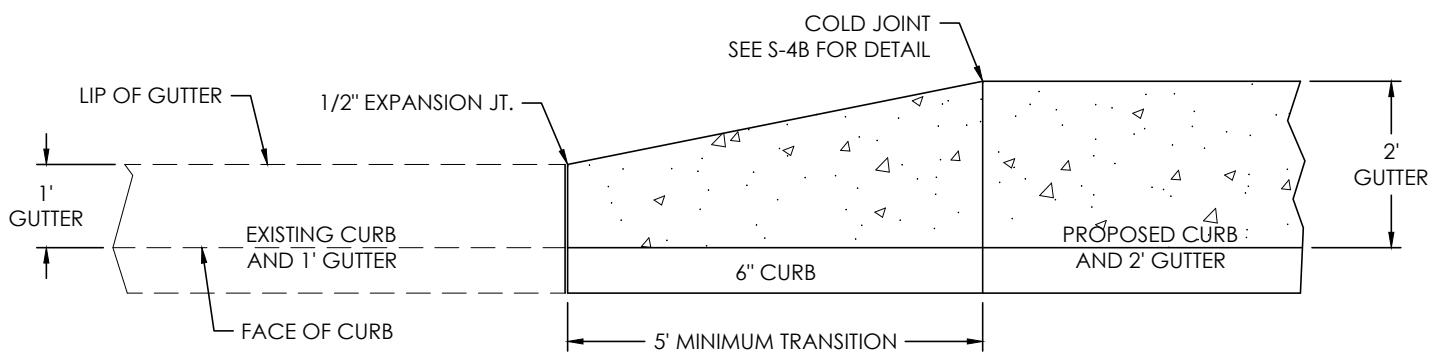


PLAN VIEW  
ROLLED CURB TRANSITION TO  
 STRAIGHT CURB AND 2' GUTTER



PLAN VIEW  
ROLLED CURB TRANSITION TO  
 2' GUTTER AT CURB RETURN



PLAN VIEW  
1' GUTTER TRANSITION TO  
 STRAIGHT CURB AND 2' GUTTER

CURB TRANSITIONS

DRAWN BY:	LFM	CHECKED BY:	IHH
APPROVAL DATE:	06/2018	APPROVED BY:	JBL
SCALE:	NONE	DRAWING NO.	S-3
REVISED DATE:	08/2021		