

SOLAR PANEL AFFIXED PER MANUFACTURER SPECIFICATIONS FOR TOP OF POLE AND BRACKET, ADJUSTABLE ANGLE OF 45° TO 60° VERTICALLY AND ABILITY TO ROTATE 360°

TOP OR SIDE POST MOUNT PER MANUFACTURER'S SPECIFICATIONS

W11-2 OR S1-1 SIGN:
30" X 30" FOR POSTED SPEED ≤ 30 MPH
36" X 36" FOR POSTED SPEED ≥ 35 MPH

RAPID FLASHING BEACON (RFB)
CARMANAH R-920E

W16-7P (24" X 12") SIGN

ADA COMPLIANT PUSH
BUTTON PER CA MUTCD
STANDARDS AND SIGN
R10-25

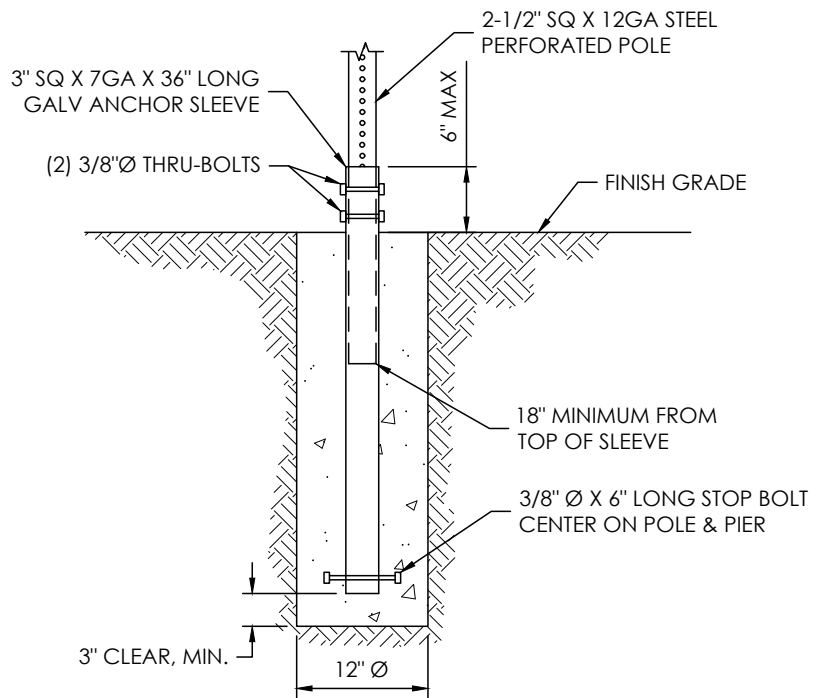
7' MIN

42"-48"

3'

36" DEEP
(SEE NOTE 3)

SIDE VIEW



DESIGN PARAMETERS (PER CBC 2019):

- ALLOW SOIL BEARING = 1500 PSF
- PASSIVE PRESSURE = 150 PCF
- $P_{wind} = 11.4 * [AREA OF SIGN] - ASD LEVEL$
- SEISMIC: $S_{DS} = 1.325 ; I_E = 1.0$

PERFORATED POLE IN CAST-IN-DRILLED-HOLE PIER

2-1/2" SQ X 12GA GALV
PERFORATED POLE (7/16" Ø)
(SEE NOTE 4)

3" SQ X 7GA X 36" LONG
GALV ANCHOR SLEEVE

NOTES

1. RAPID FLASHING BEACON SYSTEM ON GALVANIZED PERFORATED SQUARE POLE IS AN ALTERNATIVE INSTALLATION SUBJECT TO CITY APPROVAL.
2. ALL CONCRETE SHALL BE 2500 PSI MIN.
3. PIER DEPTH SHOWN IS MIN. FROM FINISH GRADE.
4. 13' POLE FOR POSTED SPEEDS OF LESS THAN OR EQUAL TO 30 MPH.
15' POLE FOR POSTED SPEEDS GREATER THAN OR EQUAL TO 35 MPH.

CITY OF NAPA

PUBLIC WORKS DEPARTMENT

RAPID FLASHING BEACON SYSTEM &
SQUARE POLE INSTALLATION

DRAWN BY: LFM
APPROVAL DATE: 10/2020
SCALE: NONE
REVISED DATE:

CHECKED BY: EBM
APPROVED BY: JBL
DRAWING NO. E-10A