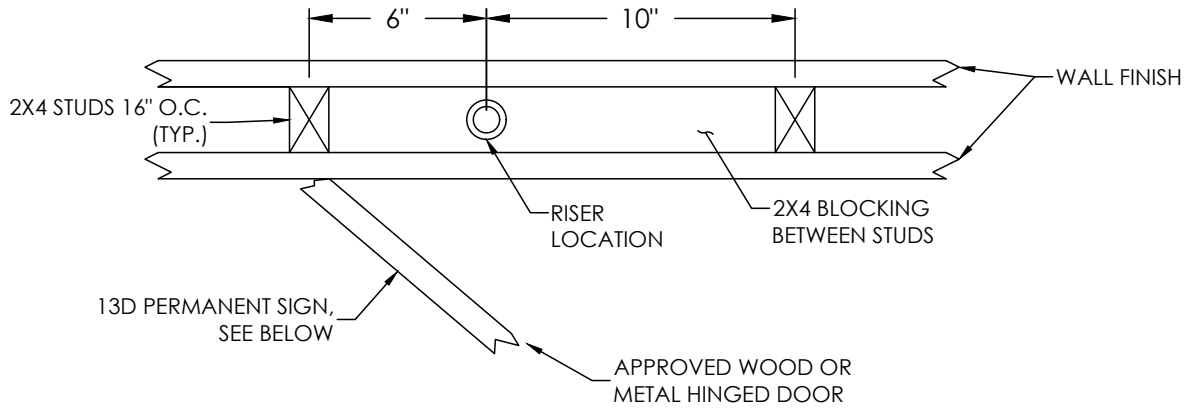
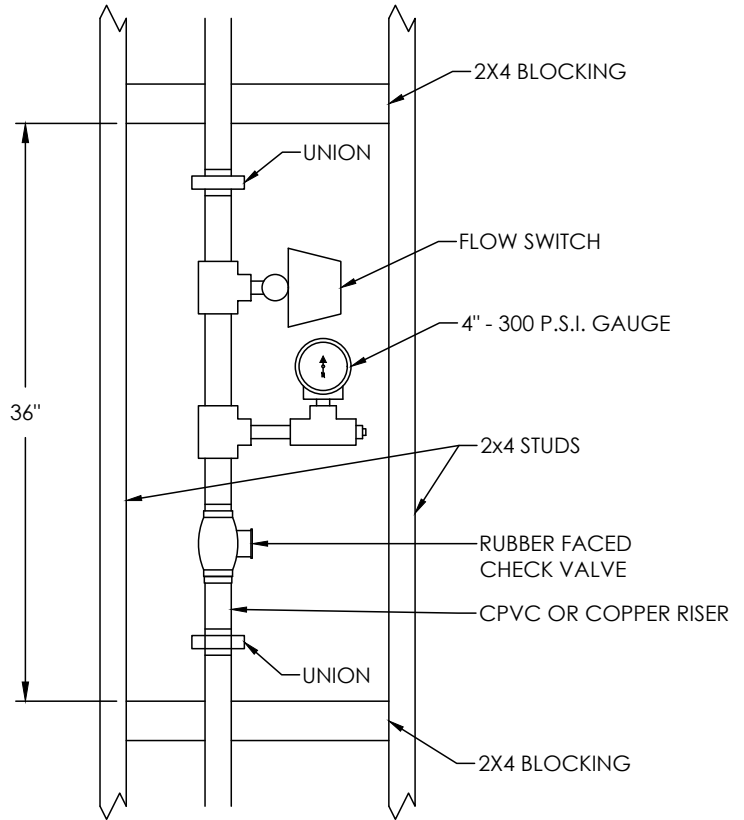


TOP VIEW



13D PERMANENT SIGN

"WARNING: THE WATER SYSTEM FOR THIS HOME SUPPLIES A SPRINKLER SYSTEM THAT DEPENDS ON CERTAIN FLOWS AND PRESSURES TO FIGHT A FIRE. DEVICES THAT RESTRICT THE FLOW OR PRESSURE SUCH AS PRESSURE REDUCERS AND WATER SOFTENERS SHALL NOT BE ADDED TO THE SYSTEM WITHOUT A REVIEW OF THE SYSTEM BY A FIRE PROTECTION SPECIALIST. LEAVE VALVE IN THE FULLY OPEN POSITIONS AT ALL TIMES."



FRONT VIEW

SPRINKLER CABINET

STOCK OF SPARE SPRINKLERS

CITY OF NAPA

FIRE DEPARTMENT

RISER ACCESS PANEL DETAIL

DRAWN BY: RC  
 APPROVAL DATE: 08/2021  
 SCALE: NONE  
 REVISED DATE:

CHECKED BY: BV  
 APPROVED BY: GDF  
 DRAWING NO. FP-10